

Area Gripper

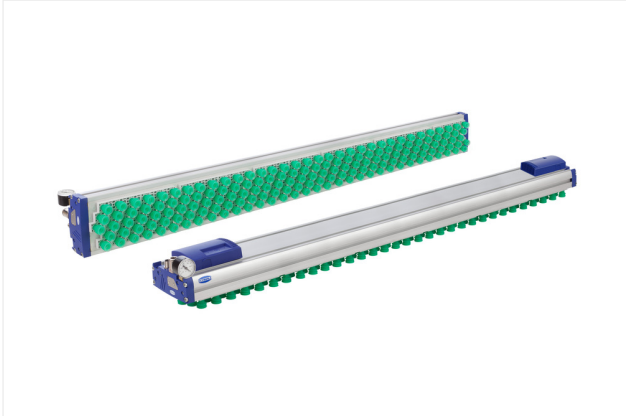
FXP-S-SW90 1234 5R36 SPB2-20-P

Part no...:10.01.38.00971

<https://www.schmalz.com/10.01.38.00971>

Home > Vacuum Technology for Automation > Vacuum Components > Area Gripping Systems and End Effectors > Vacuum Area Gripping System FXP/FMP > Area Gripping Systems FXP > FXP-S-SW90 1234 5R36 SPB2-20-P

Vacuum area gripping system with integrated pneumatic vacuum generator and flow resistors



Length L: 1,234 mm

Width B: 130 mm

Arrangement: 5R36

Number of suction cells: 165

Add. function: 2x control valve vacuum/blow-off

Design: Multi-stage ejector SEMP

Construction shape vacuum switch: PNP switching

Voltage DC: 24V - DC

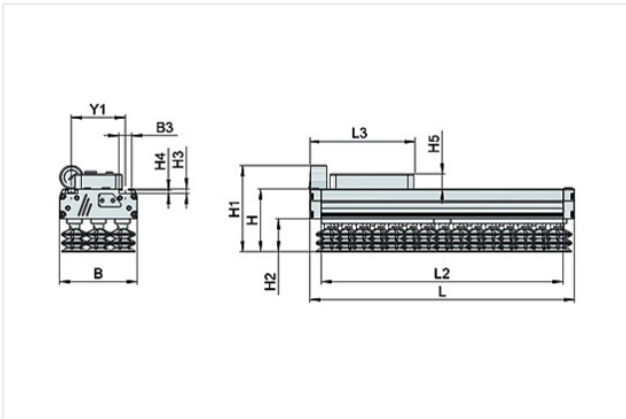
Nozzle diameter: 0.9 mm

Air consumption: 875 l/min

Weight: 7.5 kg

Product family: FXP

Design Data



Attribute	Value
B	130 mm
B3	21.60 mm
H	83 mm
H1	122 mm
H2	33 mm
H3	7.70 mm
H4	5.50 mm
H5	28 mm
L	1234 mm
L2	1194 mm
L3	154 mm
Y1	90 mm
Valve type	SW

Permissible dimensional tolerances for elastomer parts according to DIN ISO 3302-1 M3 Note: Two ejectors/silencer box covers are used for the 1,234 mm and 1,432 mm lengths. Type FXP requires compressed air hose 12/9 mm

Technical Data

Attribute	Value
Arrangement	5R36

Contact Schmalz

Schmalz GmbH | Commerz Park West 1, 4061 Pasching, Austria | +43 7229 24 24 4 | schmalz@schmalz.at

Area Gripper

FXP-S-SW90 1234 5R36 SPB2-20-P

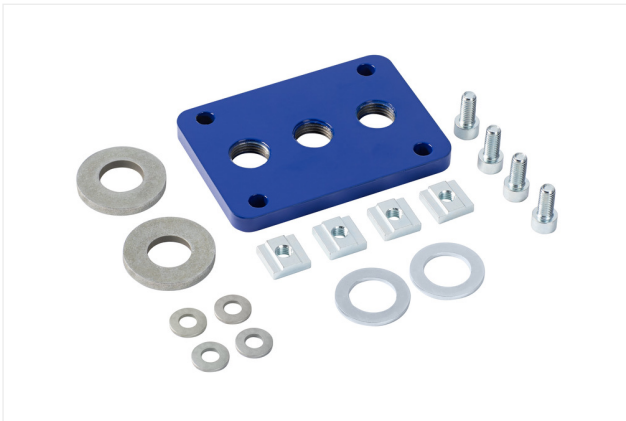
Part no...:10.01.38.00971

<https://www.schmalz.com/10.01.38.00971>

Number of suction cells	165
Suction force at -250 mbar	420 N
Suction rate (max.)	2940 l/min
Air consumption	875 l/min
Sealing element	Suction Cups
Add. function	2x control valve vacuum/blow-off
Weight	7.50 kg
Product family	FXP

Sound level: 74 dB(A) Max. degree of evacuation 55%

Accessories



FLAN-PL 120x85x10 ST FLGR

Part no...:10.01.10.05701

Length L: 120 mm

Width B: 85 mm

Height H: 10 mm

Material: Steel

Construction use: Vacuum area gripping system



FLK G1/2-IG G1/2-AG

Part no...:10.01.03.00175

Thread G1: G1/2"-F

Thread G2: G1/2"-M

Operating temperature: 0 ... 70 °C

Area Gripper

FXP-S-SW90 1234 5R36 SPB2-20-P

Part no...:10.01.38.00971

<https://www.schmalz.com/10.01.38.00971>



FST-FLEX 25 HD1 G1/2-AG G3/8-IG

Part no...:10.01.10.05697

Spring stroke Z: 25 mm

Shape mounting elements: Heavy Duty 1 spring plunger

Construction use: Mounting section



FST-FLEX 25 HD2 G1/2-AG G3/8-IG

Part no...:10.01.10.05695

Spring stroke Z: 25 mm

Shape mounting elements: Heavy Duty 2 spring plunger

Construction use: Mounting section



FST-FLEX 50 HD1 G1/2-AG G3/8-IG

Part no...:10.01.10.05687

Spring stroke Z: 50 mm

Shape mounting elements: Heavy Duty 1 spring plunger

Construction use: Mounting section

Area Gripper

FXP-S-SW90 1234 5R36 SPB2-20-P

Part no...:10.01.38.00971

<https://www.schmalz.com/10.01.38.00971>



FST-FLEX 50 HD2 G1/2-AG G3/8-IG

Part no...:10.01.10.05168

Spring stroke Z: 50 mm

Shape mounting elements: Heavy Duty 2 spring plunger

Construction use: Mounting section



FST-FLEX 75 HD1 G1/2-AG G3/8-IG

Part no...:10.01.10.05698

Spring stroke Z: 75 mm

Shape mounting elements: Heavy Duty 1 spring plunger

Construction use: Mounting section



FST-FLEX 75 HD2 G1/2-AG G3/8-IG

Part no...:10.01.10.05696

Spring stroke Z: 75 mm

Shape mounting elements: Heavy Duty 2 spring plunger

Construction use: Mounting section

Area Gripper

FXP-S-SW90 1234 5R36 SPB2-20-P

Part no...:10.01.38.00971

<https://www.schmalz.com/10.01.38.00971>



FST-STARR 25 HD1 G1/2-AG G3/8-IG

Part no...:10.01.10.05810

Spring stroke Z: 25 mm

Shape mounting elements: Heavy Duty 1 spring plunger

Construction use: Mounting section



FST-STARR 25 HD2 G1/2-AG G3/8-IG

Part no...:10.01.10.05806

Spring stroke Z: 25 mm

Shape mounting elements: Heavy Duty 2 spring plunger

Construction use: Mounting section



FST-STARR 50 HD1 G1/2-AG G3/8-IG

Part no...:10.01.10.05809

Spring stroke Z: 50 mm

Shape mounting elements: Heavy Duty 1 spring plunger

Construction use: Mounting section

Area Gripper

FXP-S-SW90 1234 5R36 SPB2-20-P

Part no...:10.01.38.00971

<https://www.schmalz.com/10.01.38.00971>



FST-STARR 50 HD2 G1/2-AG G3/8-IG

Part no...:10.01.10.05805

Spring stroke Z: 50 mm

Shape mounting elements: Heavy Duty 2 spring plunger

Construction use: Mounting section



FST-STARR 75 HD1 G1/2-AG G3/8-IG

Part no...:10.01.10.05808

Spring stroke Z: 75 mm

Shape mounting elements: Heavy Duty 1 spring plunger

Construction use: Mounting section



FST-STARR 75 HD2 G1/2-AG G3/8-IG

Part no...:10.01.10.05803

Spring stroke Z: 75 mm

Shape mounting elements: Heavy Duty 2 spring plunger

Construction use: Mounting section

Area Gripper

FXP-S-SW90 1234 5R36 SPB2-20-P

Part no...:10.01.38.00971

<https://www.schmalz.com/10.01.38.00971>



MOD-FLAN 120x120 FXP-FMP

Part no...:10.01.21.00244

Length L: 120 mm

Width B: 120 mm

Height H: 60 mm

Weight: 1.1 kg

Measuring range: bar

Construction use: Vacuum area gripping system FXP-FMP



MOD-FLAN 176.6x118 FXP

Part no...:10.01.38.01722

Length L: 176.6 mm

Width B: 118 mm

Height H: 40 mm

Construction use: Vacuum area gripping system FXP



VS-MONT 84x21x34.5 VSi-V FXP

Part no...:10.01.38.02691

Length L: 84 mm

Width B: 21 mm

Height H: 34.5 mm

Construction use: Vacuum area gripping system FXP

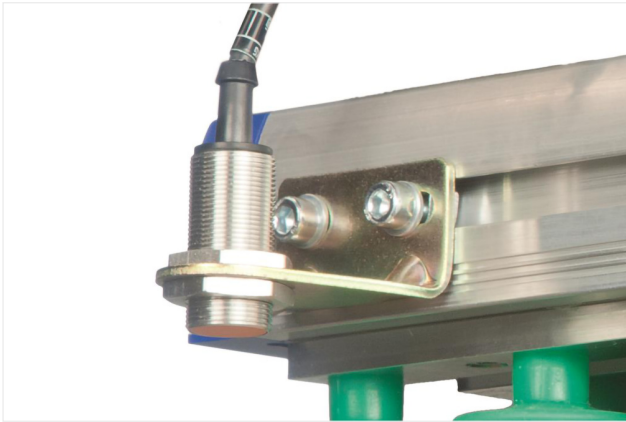
with: vacuum switch VSi

Area Gripper

FXP-S-SW90 1234 5R36 SPB2-20-P

Part no...:10.01.38.00971

<https://www.schmalz.com/10.01.38.00971>



SET fuer-Sensor(FXP/FMP)

Part no...:10.01.38.01194



SET FXC-FMC

Part no...:10.01.21.01291

Length L: 119 mm

Width B: 119 mm

Height H: 9.6 mm

Measuring range: bar

Construction use: Vacuum area gripping system FXC-FMC



SET FXP-FMP

Part no...:10.01.21.02407

Length L: 232 mm

Width B: 119 mm

Height H: 119 mm

Measuring range: bar

Construction use: Vacuum area gripping system FXP-FMP

Area Gripper

FXP-S-SW90 1234 5R36 SPB2-20-P

Part no...:10.01.38.00971

<https://www.schmalz.com/10.01.38.00971>



SET FXP-FMP 4NUTSTEIN

Part no...:10.01.21.00243

contains: 4 slot nuts

Measuring range: bar

Construction use: Vacuum area gripping system FXP-FMP



VAM 40 V U BAR

Part no...:10.07.02.00046

External diameter D: 40 mm

Measuring range: -1,00 ... 0,00 bar



VSL 12-9 PU MI-TR

Part no...:10.07.09.00037

External diameter D: 12 mm

Internal diameter d: 9 mm

Length max.: 50 m

Material hose: PU

Bending radius min.: 70 mm

Pressure range (operating pressure): -0.95 ... 10.00 bar

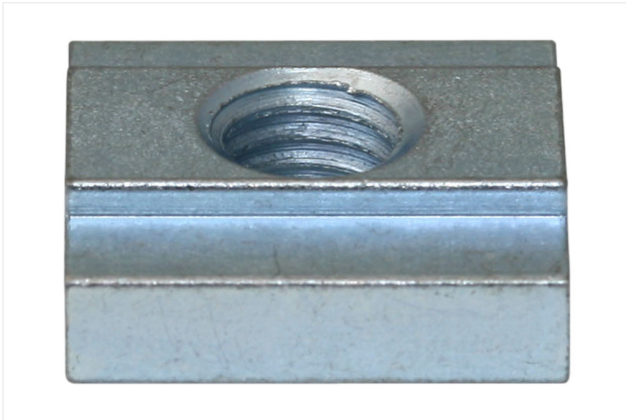
Operating temperature: -20 ... 90 °C

Area Gripper

FXP-S-SW90 1234 5R36 SPB2-20-P

Part no...:10.01.38.00971

<https://www.schmalz.com/10.01.38.00971>



NUT-STEI 20x20 M8-IG 10

Part no...:25.09.06.00012

Width B: 20 mm

Height H: 4.9 mm

Material: Steel

Length L: 20 mm

Thread G1: M8-F

Shape mounting elements: With step

Surface: galvanised

Weight: 15.9 g



NUT-STEI 20x20 M6-IG 10

Part no...:25.09.06.00036

Width B: 20 mm

Height H: 5 mm

Material: Steel

Length L: 20 mm

Thread G1: M6-F

Shape mounting elements: With step

Surface: galvanised



ABDK-PROF-10x7x1450-KU-SW-FXP-FMP

Part no...:26.07.03.00002

Length L: 1,450 mm

Width B: 10 mm

Height H: 7 mm

Material: Plastics

Measuring range: bar

Construction use: Vacuum area gripping system FXP-FMP

Area Gripper

FXP-S-SW90 1234 5R36 SPB2-20-P

Part no...:10.01.38.00971

<https://www.schmalz.com/10.01.38.00971>



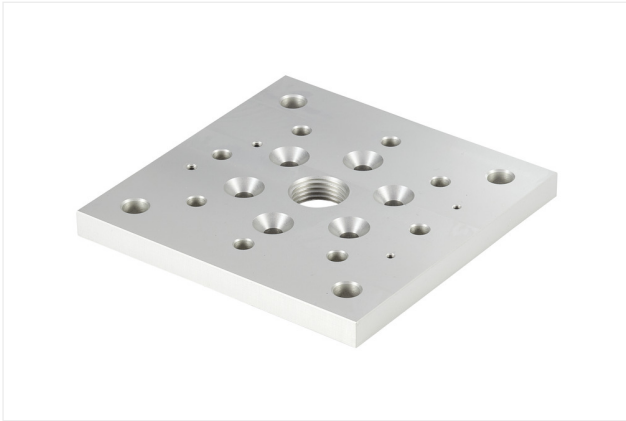
ASK B-M12-5 5000 K-5P

Part no...:21.04.05.00080

Electrical connection: Fem connect M12, 5 pol

Cable length: 5,000 mm

Material hose: PUR cable



FLAN-PL 120x120x10 FXC-FMC

Part no...:10.01.21.00313

Length L: 120 mm

Width B: 120 mm

Height H: 10 mm

Measuring range: bar

Construction use: Vacuum area gripping system FXC-FMC



FLK G1/2-IG G1/2-AG V

Part no...:10.01.03.00207

Thread G1: G1/2"-F

Thread G2: G1/2"-M

Operating temperature: 0 ... 70 °C

Shape mounting elements: Reinforced

Area Gripper

FXP-S-SW90 1234 5R36 SPB2-20-P

Part no...:10.01.38.00971

<https://www.schmalz.com/10.01.38.00971>



VS-MONT 76.5x19 VSi FXP-FMP

Part no...:10.01.38.02485

Length L: 76.5 mm

Width B: 19 mm

Add. function: Vacuum and pressure switch VSi

Measuring range: bar

Add. function: Vacuum and pressure switch

Construction use: Vacuum area gripping system FXP-FMP

Spare parts



ERS FXP-S-SEMP-75 DECKEL

Part no...:10.01.38.02191

Measuring range: bar

Size: SEMP-75

contains: Cover

Construction use: Vacuum area gripping system FXP-S



ERS FXP-S-SEMP-100 DECKEL

Part no...:10.01.38.02192

Measuring range: bar

Size: SEMP-100

contains: Cover

Construction use: Vacuum area gripping system FXP-S

Area Gripper

FXP-S-SW90 1234 5R36 SPB2-20-P

Part no...:10.01.38.00971

<https://www.schmalz.com/10.01.38.00971>



MASK-FOL SW90 1194 5R36 FXP-FMP

Part no...:10.01.38.00533

Length L: 1,194 mm

Width B: 109.8 mm

Height H: 0.4 mm

Measuring range: bar

Nozzle diameter: 0.9 mm

Construction use: Vacuum area gripping system FXP-FMP



SD 120x79x29 FXP

Part no...:10.01.38.01607

Length L: 120 mm

Width B: 79 mm

Height H: 29 mm

Construction use: Vacuum area gripping system FXP



SPB2 20 SI-40 P

Part no...:10.01.06.03125

Size: 20

Suction cup material: Silicone SI

Material hardness [Shore A]: 40 Shore A

Number of folds: 2.5

Shape: Push In