

Flat suction cup (round)

PFG 5 FPM-65 N004

Part no.:10.01.01.00067

<https://www.schmalz.com/10.01.01.00067>

Homepage > Vacuum Technology for Automation > Vacuum Components > Vacuum Suction Cups > Flat suction cup (round) > PFG 5 FPM-65 N004

Flat suction cup (round) for smooth or slightly rough surfaces



Size: 5

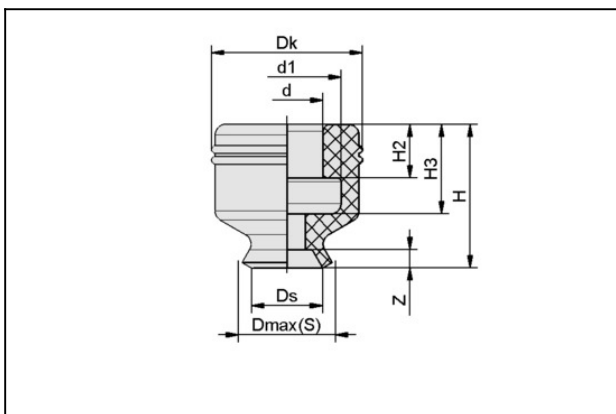
Suction cup material:

Fluorocautchuc FPM

Material hardness: 65 °Sh

Material property: imprint-free

Design Data



Attribute	Value
d	4 mm
d1	6 mm
Dk	7.7 mm
Dmax(S)	5.5 mm
Ds	5 mm
H	6.5 mm
H2	2 mm
H3	4 mm
Z (Stroke)	0.9 mm

Technical Data

Flat suction cup (round)

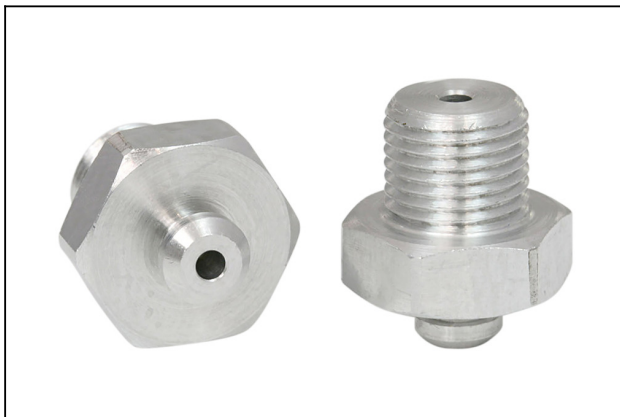
PFG 5 FPM-65 N004

Part no.:10.01.01.00067

<https://www.schmalz.com/10.01.01.00067>

Attribute	Value
Suction force (-600mbar)	0.75 N
Volume	0.092 cm ³
Curve radius (min) (convex)	7.5 mm
Size	5
Nipple family	N 004
Number of folds	0
Suction cup material	Fluorocaoutchuc FPM
Material hardness [Shore A]	65 Shore A
Weight	0.3 g
Product family	PFG

Accessories



SA-NIP N004 G1/8-AG DN200

Part no.10.01.01.03528

Suction cup connection nipple

Nipple: N 004

Thread G1: G1/8"-M

Overall length: 17 mm

Fitting length: 5 mm

Nominal size: 2.00 mm

Material: Aluminium

Flat suction cup (round)

PFG 5 FPM-65 N004

Part no.:10.01.01.00067

<https://www.schmalz.com/10.01.01.00067>



SA-NIP N004 G1/8-IG DN200

Part no.10.01.01.03520

Suction cup connection nipple

Nipple: N 004

Thread G1: G1/8"-F

Overall length: 20 mm

Fitting length: 16 mm

Nominal size: 2.00 mm

Material: Aluminium



SA-NIP N004 M5-AG DN200

Part no.10.01.01.03526

Suction cup connection nipple

Nipple: N 004

Thread G1: M5-M

Overall length: 13.5 mm

Fitting length: 5 mm

Nominal size: 2.00 mm

Material: Aluminium



SA-NIP N004 M5-IG DN200

Part no.10.01.01.03518

Suction cup connection nipple

Nipple: N 004

Thread G1: M5-F

Overall length: 14 mm

Fitting length: 10 mm

Nominal size: 2.00 mm

Material: Aluminium