

Flat suction cup (round)

SG 16 NBR-55 N026

Part no.:10.01.01.00195

<https://www.schmalz.com/10.01.01.00195>

Homepage > Vacuum Technology for Automation > Vacuum Components > Vacuum Suction Cups > Suction Cups for Different Industries > SG

16 NBR-55 N026

Flat suction cup (round)



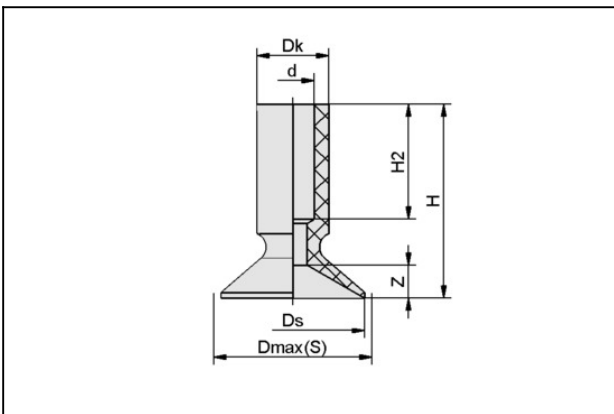
Size: 16

Suction cup material:

Nitrile rubber NBR

Material hardness: 55 °Sh

Design Data



Attribute	Value
d	5 mm
Dk	8 mm
Dmax(S)	17.5 mm
Ds	16 mm
H	20 mm
H2	12 mm
Z (Stroke)	4 mm

Technical Data

Attribute	Value
Number of folds	0

Flat suction cup (round)

SG 16 NBR-55 N026

Part no.:10.01.01.00195

<https://www.schmalz.com/10.01.01.00195>

Attribute	Value
Size	16
Suction cup material	Nitrile rubber NBR
Suction force (-600mbar)	8 N
Material hardness [Shore A]	55 Shore A
Product family	SG

Accessories



SA-NIP N026 M5-AG DN200

Part no.10.01.01.00319

Suction cup connection nipple

Nipple: N 026

Thread G1: M5-M

Overall length: 17.5 mm

Fitting length: 3 mm

Nominal size: 2.00 mm

Material: Aluminium

Spanner size SW2: 3 mm