

## Flat suction cup (round)

PFYN 10 NBR-55 G1/8-IG

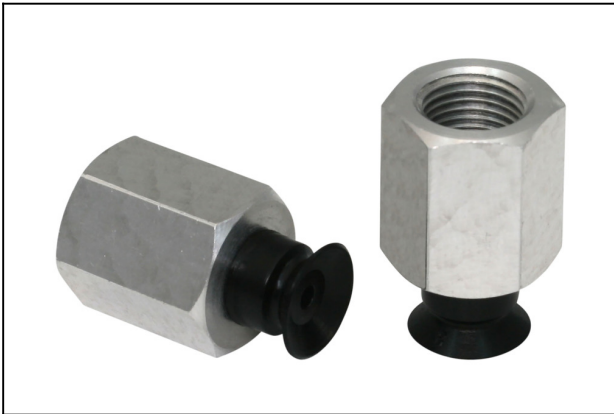
Part no.:10.01.01.00255

<https://www.schmalz.com/10.01.01.00255>

Homepage > Vacuum Technology for Automation > Vacuum Components > Vacuum Suction Cups > Flat suction cup (round) > Flat Suction

Cups PFYN > PFYN 10 NBR-55 G1/8-IG

### Flat suction cup (round) for smooth or slightly rough surfaces



Size: 10

Suction cup material:

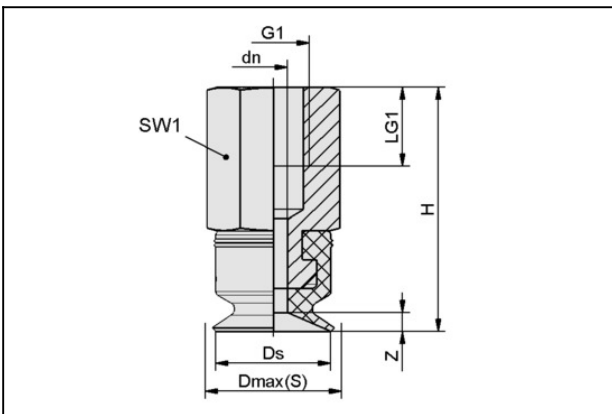
Nitrile rubber NBR

Material hardness: 55 °Sh

Nipple material: Aluminium

Vacuum connection: G1/8"-F

### Design Data



Attribute	Value
dn	2 mm
Dmax(S)	11.5 mm
Ds	10 mm
G1	G1/8"-F
H	23.5 mm
LG1	9 mm
SW1	14 mm
Z (Stroke)	1.4 mm

### Technical Data

## Flat suction cup (round)

### PFYN 10 NBR-55 G1/8-IG

Part no.:10.01.01.00255

<https://www.schmalz.com/10.01.01.00255>

Attribute	Value
Suction force (-600mbar)	4 N
Volume	0.07 cm <sup>3</sup>
Curve radius (min) (convex)	12.5 mm
Hose diameter (empf.) d	4 mm
Size	10
Number of folds	0
Suction cup material	Nitrile rubber NBR
Material hardness [Shore A]	55 Shore A
Weight	5.3 g
Product family	PFYN

Note: Suction force: The specified suction forces are theoretical values at a vacuum of -0.6 bar and with a smooth, dry workpiece surface - they do not include a safety factor Hose diameter: The recommended hose diameter refers to a hose length of approx. 2 m

## Spare Parts



### SA-NIP N004 G1/8-IG DN200

Part no.10.01.01.03520

Suction cup connection nipple

Nipple: N 004

Thread G1: G1/8"-F

Overall length: 20 mm

Fitting length: 16 mm

Nominal size: 2.00 mm

Material: Aluminium

## Flat suction cup (round)

PFYN 10 NBR-55 G1/8-IG

Part no.:10.01.01.00255

<https://www.schmalz.com/10.01.01.00255>



### **PFG 10 NBR-55 N004**

Part no.10.01.01.00010

Flat suction cup (round) for smooth or slightly rough surfaces

Size: 10

Suction cup material:

Nitrile rubber NBR

Material hardness: 55 °Sh