

Connection nipple

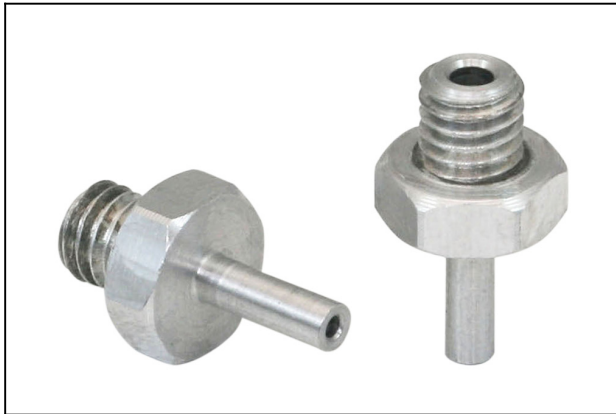
SA-NIP N024 M5-AG DN100

Part no.:10.01.01.00317

<https://www.schmalz.com/10.01.01.00317>

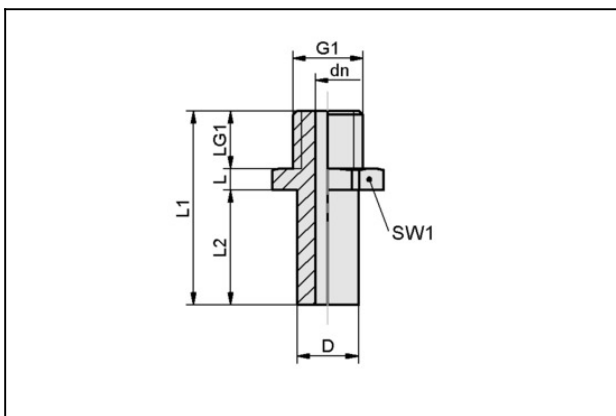
Homepage > Vacuum Technology for Automation > Vacuum Components > Vacuum Suction Cups > Suction Cups for Different Industries > SA-NIP N024 M5-AG DN100

Suction cup connection nipple



Nipple: N 024
 Thread G1: M5-M
 Overall length: 15 mm
 Fitting length: 3 mm
 Nominal size: 1.00 mm
 Material: Aluminium

Design Data



Attribute	Value
G1	M5-M

Technical Data

Attribute	Value
Number of folds	0
Size	0
Material hardness [Shore A]	0 Shore A

Connection nipple

SA-NIP N024 M5-AG DN100

Part no.:10.01.01.00317

<https://www.schmalz.com/10.01.01.00317>



Accessories



SG 6.3 NBR-55 N024

Part no.10.01.01.00193

Flat suction cup (round)

Size: 6.3

Suction cup material:

Nitrile rubber NBR

Material hardness: 55 °Sh



SG 6.3 SI-55 N024

Part no.10.01.01.00600

Flat suction cup (round)

Size: 6.3

Suction cup material: Silicone SI

Material hardness: 55 °Sh

Material characteristics:

FDA-compatible