

Flat suction cup (round)

SGAN 16 PU-60 G1/8-AG

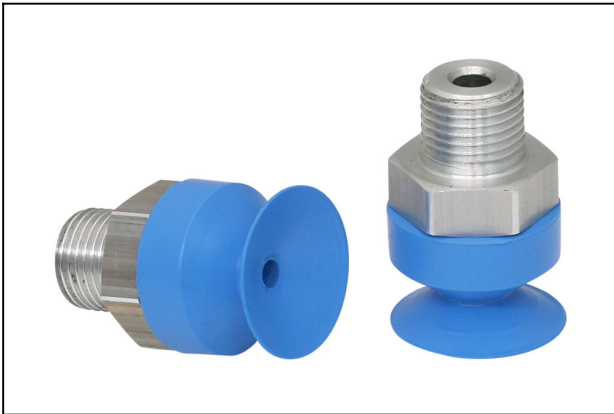
Part no.:10.01.01.00812

<https://www.schmalz.com/10.01.01.00812>

Homepage > Vacuum Technology for Automation > Vacuum Components > Vacuum Suction Cups > Flat suction cup (round) > Flat Suction

Cups SGAN > SGAN 16 PU-60 G1/8-AG

Flat suction cup (round) for particularly sensitive workpieces



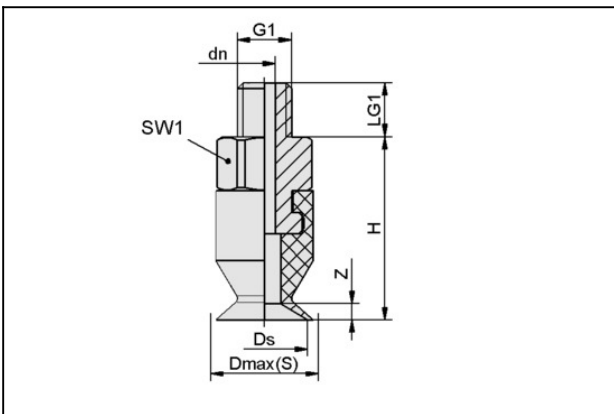
Size: 16

Suction cup material: Polyurethane PU

Material hardness: 60 °Sh

Vacuum connection: G1/8"-M

Design Data



Attribute	Value
dn	3 mm
Dmax(S)	17.5 mm
Ds	15 mm
G1	G1/8"-M
H	17 mm
LG1	8 mm
SW1	14 mm
Z (Stroke)	2 mm

Technical Data

Flat suction cup (round)

SGAN 16 PU-60 G1/8-AG

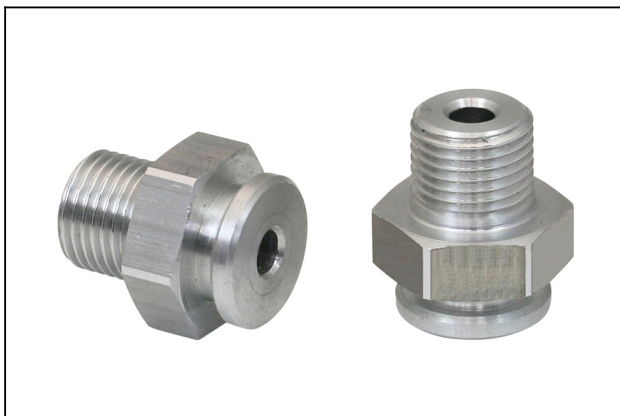
Part no.:10.01.01.00812

<https://www.schmalz.com/10.01.01.00812>

Attribute	Value
Suction force (-600mbar)	6.9 N
Volume	0.607 cm ³
Curve radius (min) (convex)	15 mm
Hose diameter (empf.) d	4 mm
Size	16
Nipple family	N 029
Suction cup material	Polyurethan PU
Material hardness [Shore A]	60 Shore A
Weight	5.7 g
Number of folds	0
Product family	SGAN

Note: Suction force: The specified suction forces are theoretical values at a vacuum of -0.6 bar and with a smooth, dry workpiece surface - they do not include a safety factor
Hose diameter: The recommended hose diameter refers to a hose length of approx. 2 m

Spare Parts



SA-NIP N029 G1/8-AG DN350

Part no.10.01.01.00816

Suction cup connection nipple

Nipple: N 029

Thread G1: G1/8"-M

Overall length: 17 mm

Fitting length: 5 mm

Nominal size: 3,50 mm

Material: Aluminium

Spanner size SW2: 4 mm

Flat suction cup (round)

SGAN 16 PU-60 G1/8-AG

Part no.:10.01.01.00812

<https://www.schmalz.com/10.01.01.00812>



SGA 16 PU-55 N029

Part no.10.01.01.00572

Flat suction cup (round)

Size: 16

Suction cup material: Polyurethane PU

Material hardness: 55 °Sh