

Sealing ring suction plate SPU

DR-SPU 250 SI-60

Part no.:10.01.01.01095

<https://www.schmalz.com/10.01.01.01095>

Homepage > Vacuum Technology for Automation > Vacuum Components > Vacuum Suction Cups > Flat suction cup (round) > DR-SPU 250

SI-60

Sealing ring for suction plate SPU

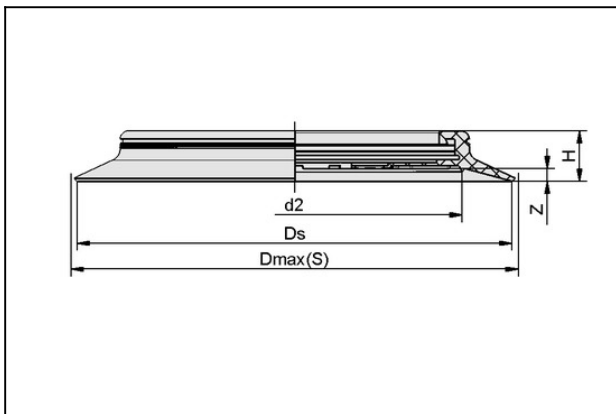


Size: 250

Suction cup material: Silicone SI

Material hardness: 60 °Sh

Design Data



Attribute	Value
d2	199.2 mm
Ds	250 mm
Dmax(S)	252.4 mm
H	24.5 mm
Z (Stroke)	4.5 mm

Technical Data

Attribute	Value
Size	250
Material hardness [Shore A]	60 Shore A
Suction cup material	Silicone SI

Sealing ring suction plate SPU

DR-SPU 250 SI-60

Part no.:10.01.01.01095

<https://www.schmalz.com/10.01.01.01095>



Attribute	Value
Weight	277 g
Number of folds	0

