

## Suction plate (round)

### SPU 210 NBR-55 G1/2-IG TV

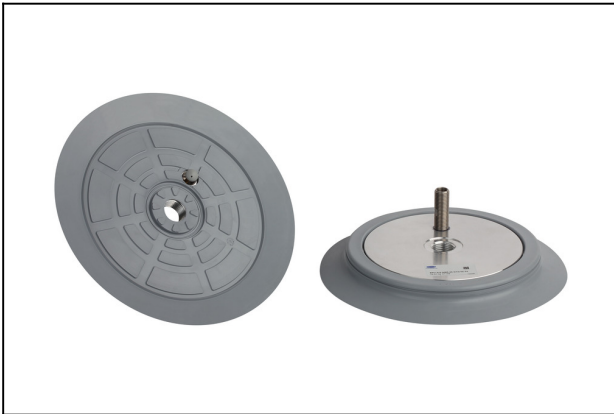
Part no.:10.01.01.01149

<https://www.schmalz.com/10.01.01.01149>

Homepage > Vacuum Technology for Automation > Vacuum Components > Vacuum Suction Cups > Flat suction cup (round) > Suction Plates

SPU > SPU 210 NBR-55 G1/2-IG TV

## Suction plate (round), universal, for smooth and slightly rough surfaces



Size: 210

Suction cup material:

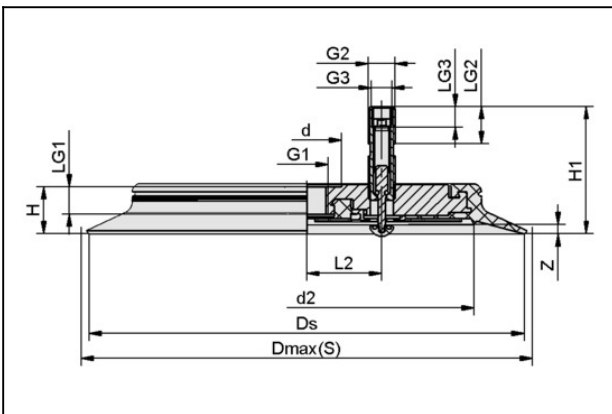
Nitrile rubber NBR

Material hardness: 55 °Sh

Vacuum connection: G1/2"-F

Additional feature: Sensing valve

### Design Data



Attribute	Value
d	34 mm
d2	163 mm
Dmax(S)	220 mm
Ds	210 mm
G1	G1/2"-F
G2	G1/4"-M
G3	G1/8"-F
H	25 mm
H1	62 mm
L2	36.5 mm
LG1	13.5 mm
LG2	37.5 mm
LG3	9.5 mm

# Suction plate (round)

## SPU 210 NBR-55 G1/2-IG TV

Part no.:10.01.01.01149

<https://www.schmalz.com/10.01.01.01149>



Attribute	Value
Z (Stroke)	5 mm

---

### Technical Data

Attribute	Value
Suction force (-600mbar)	1,870 N
Suction force d2	1,250 N
Volume	192 cm <sup>3</sup>
Curve radius (min) (convex)	750 mm
Hose diameter (empf.) d	9 mm
Size	210
Suction cup material	Nitrile rubber NBR
Material hardness [Shore A]	55 Shore A
Weight	840 g
Number of folds	0
Product family	SPU

---

### Spare Parts

## Suction plate (round)

### SPU 210 NBR-55 G1/2-IG TV

Part no.:10.01.01.01149

<https://www.schmalz.com/10.01.01.01149>



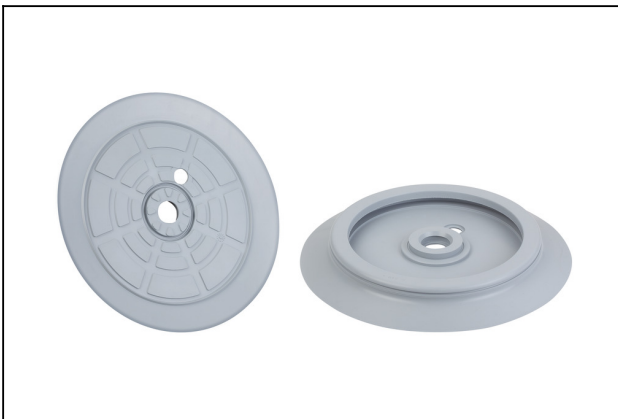
#### TV G1/4-AG 13

Part no.10.05.10.00061

Touch valve for deactivation of unused suction cups or vacuum blocks

Thread G1: G1/4"-M

Spring stroke Z: 13 mm



#### DR-SPU 210 NBR-55

Part no.10.01.01.01089

Sealing ring for suction plate SPU

Size: 210

Suction cup material:

Nitrile rubber NBR

Material hardness: 55 °Sh

## Accessories



#### SU 210

Part no.10.01.01.12439

Cover for suction cup

Size: 210

Clamping range: 210.0 ... 220.0 mm

Temperature resistance: 80 °C