

Flat suction cup (round)

SGPN 15 NK-40 G1/8-AG

Part no.:10.01.01.10315

<https://www.schmalz.com/10.01.01.10315>

Homepage > Vacuum Technology for Automation > Vacuum Components > Vacuum Suction Cups > Suction Cups for Plastic Films and Paper >

Flat Suction Cups SGPN > SGPN 15 NK-40 G1/8-AG

Flat suction cup (round) for careful gripping of paper, plastic film, etc.



Size: 15

Suction cup material:

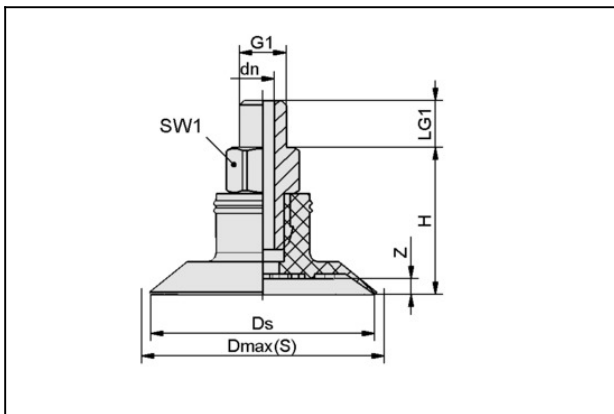
Natural Rubber NK

Material hardness: 40 °Sh

Nipple material: Aluminium

Vacuum connection: G1/8"-M

Design Data



Attribute	Value
dn	3.5 mm
Dmax(S)	15.5 mm
Ds	14.5 mm
G1	G1/8"-M
H	16 mm
LG1	7.5 mm
SW1	14 mm
Z (Stroke)	0.9 mm

Technical Data

Flat suction cup (round)

SGPN 15 NK-40 G1/8-AG

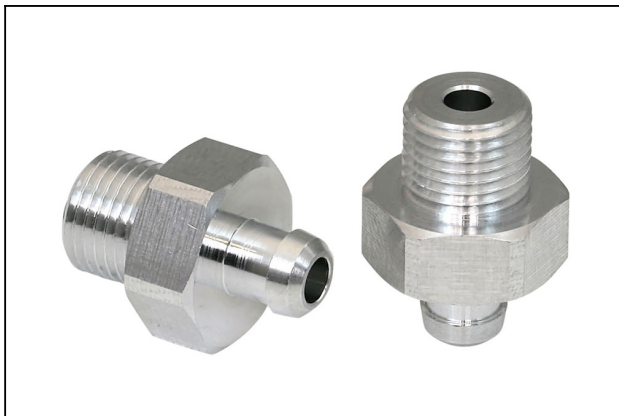
Part no.:10.01.01.10315

<https://www.schmalz.com/10.01.01.10315>

Attribute	Value
Suction force (-600mbar)	5.5 N
Volume	0.278 cm ³
Hose diameter (empf.) d	2 mm
Size	15
Number of folds	0
Suction cup material	Natural rubber NK
Material hardness [Shore A]	40 Shore A
Weight	4.6 g
Product family	SGPN

Note: Suction force: The specified suction forces are theoretical values at a vacuum of -0.6 bar and with a smooth, dry workpiece surface - they do not include a safety factor
 Hose diameter: The recommended hose diameter refers to a hose length of approx. 2 m

Spare Parts



SA-NIP N016 G1/8-AG DN350

Part no.10.01.06.05735

Suction cup connection nipple

Nipple: N 016

Thread G1: G1/8"-M

Overall length: 20 mm

Fitting length: 6 mm

Nominal size: 3,50 mm

Material: Aluminium

Flat suction cup (round)

SGPN 15 NK-40 G1/8-AG

Part no.:10.01.01.10315

<https://www.schmalz.com/10.01.01.10315>



SGP 15 NK-40 N016

Part no.10.01.01.10318

Flat suction cup (round) for careful gripping of paper, plastic film, etc.

Size: 15

Suction cup material:

Natural Rubber NK

Material hardness: 40 °Sh