

## Flat suction cup (round)

### SAF 40 NBR-60 G1/4-IG

Part no.:10.01.01.10508

<https://www.schmalz.com/10.01.01.10508>

Homepage > Vacuum Technology for Automation > Vacuum Components > Vacuum Suction Cups > Suction Cups for Handling Sheet Metal >

Flat Suction Cups SAF > SAF 40 NBR-60 G1/4-IG

## Flat suction cup (round) for very dynamic handling of smooth and oily workpieces



Size: 40

Suction cup material:

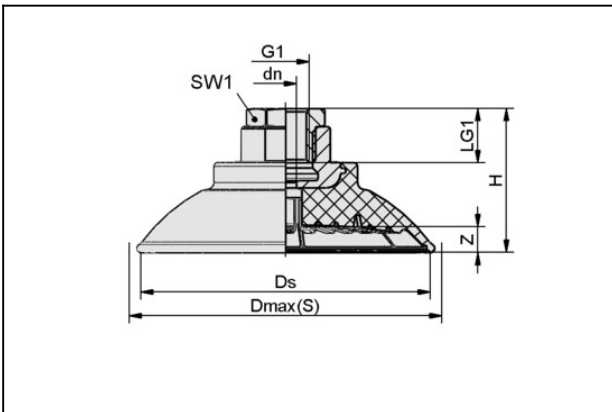
Nitrile rubber NBR

Material hardness: 60 °Sh

Vacuum connection: G1/4"-F

Nipple material: Aluminium

### Design Data



Attribute	Value
dn	4 mm
Dmax(S)	46 mm
Ds	41 mm
G1	G1/4"-F
H	22 mm
LG1	12 mm
SW1	17 mm
Z (Stroke)	4 mm

### Technical Data

## Flat suction cup (round)

### SAF 40 NBR-60 G1/4-IG

Part no.:10.01.01.10508

<https://www.schmalz.com/10.01.01.10508>

Attribute	Value
Suction force (-600mbar)	69 N
Lateral force	52 N
Lateral force (oily surface)	50 N
Volume	5.3 cm <sup>3</sup>
Curve radius (min) (convex)	50 mm
Hose diameter (empf.) d	4 mm
Size	40
Suction cup material	Nitrile rubber NBR
Material hardness [Shore A]	60.0 Shore A
Weight	13.6 g
Number of folds	0
Product family	SAF

**Note:** Suction force: The specified suction forces are theoretical values at a vacuum of -0.6 bar and with a smooth, dry workpiece surface - they do not include a safety factor Lateral force: The specified lateral forces are values measured at a vacuum of -0.6 bar with a dry or oily, smooth, flat workpiece surface. Depending on the workpiece surface and its quality, the actual values may deviate from these values Hose diameter: The recommended hose diameter refers to a hose length of approx. 2 m

## Accessories



### SU 40

Part no.10.01.01.12856

Cover for suction cup

Size: 40

Clamping range: 35.0 ... 45.0 mm

Temperature resistance: 80 °C

## Flat suction cup (round)

SAF 40 NBR-60 G1/4-IG

Part no.:10.01.01.10508

<https://www.schmalz.com/10.01.01.10508>

---

