

Flat suction cup (round)

SHF 70 NK-45 N041

Part no.:10.01.01.11682

<https://www.schmalz.com/10.01.01.11682>

Homepage > Vacuum Technology for Automation > Vacuum Components > Vacuum Suction Cups > Suction Cups for Handling Wood > Suction Plates SHF > SHF 70 NK-45 N041

Flat suction cup (round) for highly dynamic handling of wood



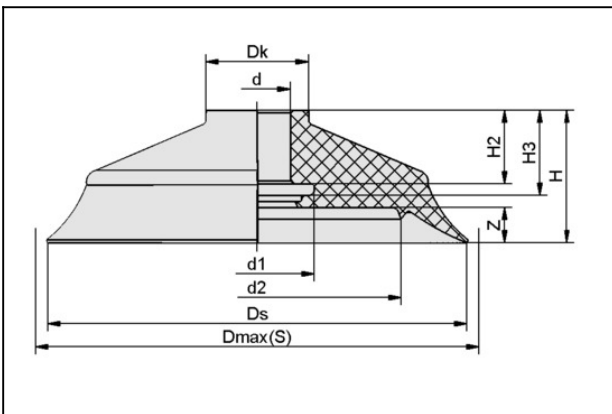
Size: 70

Suction cup material:

Natural Rubber NK

Material hardness: 45 °Sh

Design Data



Attribute	Value
d	7.5 mm
d1	17 mm
d2	48 mm
Dk	17 mm
Dmax(S)	74 mm
Ds	70 mm
H	22.2 mm
H2	12.8 mm
H3	14.3 mm
Z (Stroke)	4 mm

Flat suction cup (round)

SHF 70 NK-45 N041

Part no.:10.01.01.11682

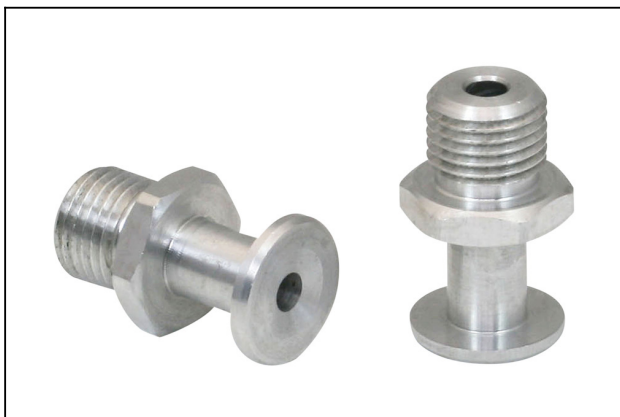
<https://www.schmalz.com/10.01.01.11682>

Technical Data

Attribute	Value
Size	70
Nipple family	N 041
Number of folds	0
Lateral force	145 N
Suction force (-600mbar)	155 N
Suction cup material	Natural rubber NK
Volume	16.207 cm ³
Curve radius (min) (convex)	95 mm
Weight	28.2 g

Note: Suction force: The specified suction forces are theoretical values at a vacuum of -0.6 bar and with a smooth, dry workpiece surface - they do not include a safety factor Pull-off force: The pull-off force of the versions made of natural rubber is reduced by about 40% Hose diameter: The recommended hose diameter refers to a hose length of approx. 2 m

Accessories



SA-NIP N041 G1/4-AG DN440

Part no.10.01.01.11772

Suction cup connection nipple

Nipple: N 041

Thread G1: G1/4"-M

Overall length: 29.3 mm

Fitting length: 4 mm

Nominal size: 4,40 mm

Material: Aluminium

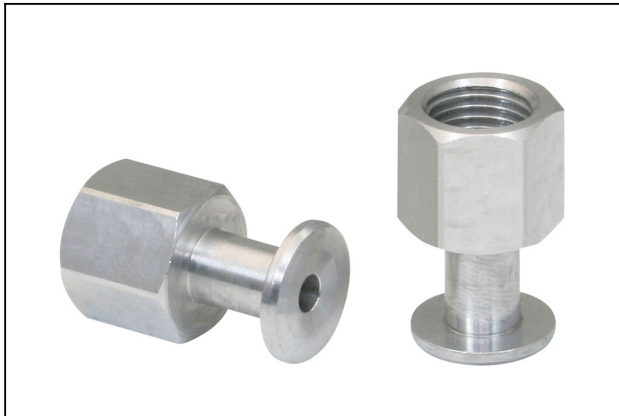
Spanner size SW2: 5 mm

Flat suction cup (round)

SHF 70 NK-45 N041

Part no.:10.01.01.11682

<https://www.schmalz.com/10.01.01.11682>



SA-NIP N041 G1/4-IG DN440

Part no.10.01.01.11822

Suction cup connection nipple

Nipple: N 041

Thread G1: G1/4"-F

Overall length: 29.3 mm

Fitting length: 15 mm

Nominal size: 4,40 mm

Material: Aluminium

Spanner size SW2: 5 mm



SIEB 15x0.8 MS-A2 0.103/0.07

Part no.10.07.01.00211

Screen protects the vacuum system from contamination

External diameter D: 15 mm

Length L: 0.8 mm

Material: Brass / Stainless steel

Mesh: 0.103 mm

Wire size: 0.07 mm



TVN G1/4-AG 8.4 N041

Part no.10.05.10.00058

Connection nipple with integrated touch valve

Thread G1: G1/4"-M

Spring stroke Z: 8.4 mm

Nipple: N 041