

## Flat suction cup (round)

### SAFT-C 80 NBR-60 M10-AG

Part no.:10.01.01.11940

<https://www.schmalz.com/10.01.01.11940>

Homepage > Vacuum Technology for Automation > Vacuum Components > Vacuum Suction Cups > Suction Cups for Handling Sheet Metal >

Flat Suction Cups SAFT-C > SAFT-C 80 NBR-60 M10-AG

## Flat suction cup (round) for best dynamics on smooth, oily surfaces



Size: 80

Suction cup material:

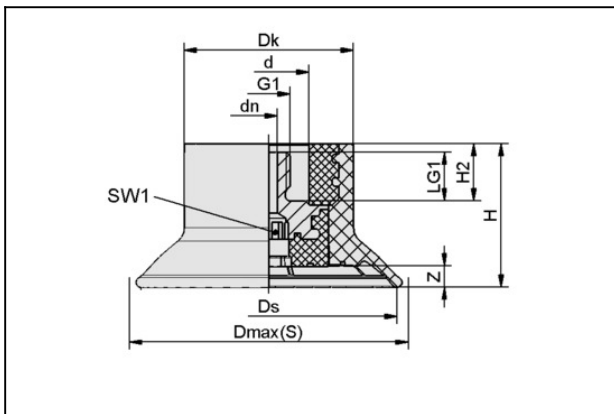
Nitrile rubber NBR

Material hardness: 60 °Sh

Nipple material: Aluminium

Vacuum connection: M10-M

## Design Data



Attribute	Value
d	19 mm
dn	4 mm
Dk	40 mm
Dmax(S)	86 mm
Ds	83 mm
G1	M10-M
H	36 mm
H2	2 mm
LG1	11.5 mm
SW1	8 mm
Z (Stroke)	7.3 mm

## Flat suction cup (round)

### SAFT-C 80 NBR-60 M10-AG

Part no.:10.01.01.11940

<https://www.schmalz.com/10.01.01.11940>

#### Technical Data

Attribute	Value
Suction force (-600mbar)	272 N
Lateral force	212 N
Lateral force (oily surface)	185 N
Volume	34.5 cm <sup>3</sup>
Curve radius (min) (convex)	100 mm
Hose diameter (empf.) d	6 mm
Size	80
Suction cup material	Nitrile rubber NBR
Weight	69.5 g
Number of folds	0
Product family	SAFT-C

#### Spare Parts



#### SA-NIP N054 M10-AG DN400

Part no.10.01.01.11942

Suction cup connection nipple

Nipple: N 054

Thread G1: M10-M

Overall length: 20.6 mm

Nominal size: 4,00 mm

Material: Aluminium

Spanner size SW2: 8 mm

## Flat suction cup (round)

SAFT-C 80 NBR-60 M10-AG

Part no.:10.01.01.11940

<https://www.schmalz.com/10.01.01.11940>



### REIB-SCHE 28x13.5 XNBR-45

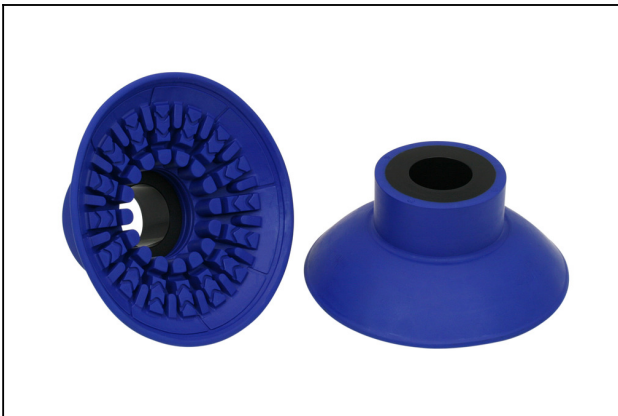
Part no.10.01.01.11943

Friction washer

External diameter D: 28 mm

Length L: 13.5 mm

Material: Perbunan XNBR 45±5ShA



### SAFT 80 NBR-60

Part no.10.01.01.11939

Flat suction cup (round)

Size: 80

Suction cup material:

Nitrile rubber NBR

Material hardness: 60 °Sh