

Flat suction cup (round)

SGPN 30 SI-50 G1/4-AG

Part no.:10.01.01.11989

<https://www.schmalz.com/10.01.01.11989>

Homepage > Vacuum Technology for Automation > Vacuum Components > Vacuum Suction Cups > Suction Cups for Plastic Films and Paper >

Flat Suction Cups SGPN > SGPN 30 SI-50 G1/4-AG

Flat suction cup (round) for careful gripping of paper, plastic film, etc.



Size: 30

Suction cup material: Silicone SI

Material hardness: 50 °Sh

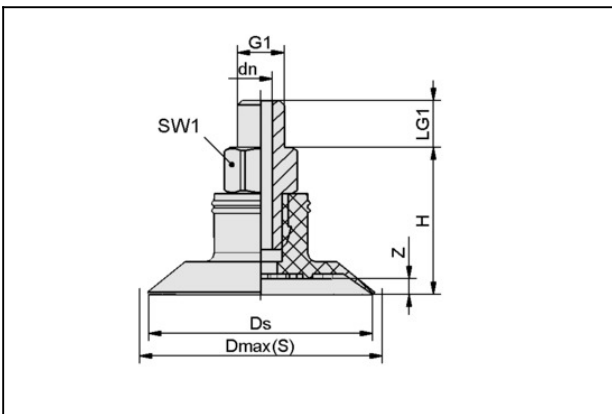
Material characteristics:

FDA-compatible

Nipple material: Aluminium

Vacuum connection: G1/4"-M

Design Data



Attribute	Value
dn	5.5 mm
Dmax(S)	32 mm
Ds	30 mm
G1	G1/4"-M
H	27.2 mm
LG1	10 mm
SW1	17 mm
Z (Stroke)	2 mm

Technical Data

Flat suction cup (round)

SGPN 30 SI-50 G1/4-AG

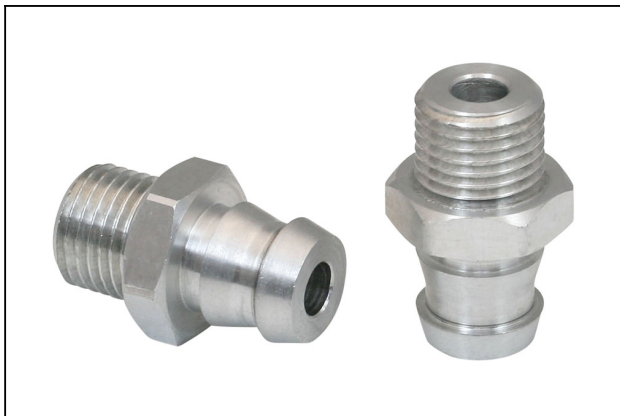
Part no.:10.01.01.11989

<https://www.schmalz.com/10.01.01.11989>

Attribute	Value
Suction force (-600mbar)	19 N
Volume	3 cm ³
Hose diameter (empf.) d	4 mm
Size	30
Number of folds	0
Suction cup material	Silicone SI
Material hardness [Shore A]	50 Shore A
Weight	12.1 g
Product family	SGPN

Note: Suction force: The specified suction forces are theoretical values at a vacuum of -0.6 bar and with a smooth, dry workpiece surface - they do not include a safety factor
 Hose diameter: The recommended hose diameter refers to a hose length of approx. 2 m

Spare Parts



SA-NIP N033 G1/4-AG DN550

Part no.10.01.01.00818

Suction cup connection nipple

Nipple: N 033

Thread G1: G1/4"-M

Overall length: 28 mm

Fitting length: 5 mm

Nominal size: 5,50 mm

Material: Aluminium

Spanner size SW2: 6 mm

Flat suction cup (round)

SGPN 30 SI-50 G1/4-AG

Part no.:10.01.01.11989

<https://www.schmalz.com/10.01.01.11989>



SGP 30 SI-50 N033

Part no.10.01.01.01064

Flat suction cup (round) for careful gripping of paper, plastic film, etc.

Size: 30

Suction cup material: Silicone SI

Material hardness: 50 °Sh

Material characteristics:

FDA-compatible