

## Flat suction cup (round)

SHFN 70 NK-45 G1/4-IG E

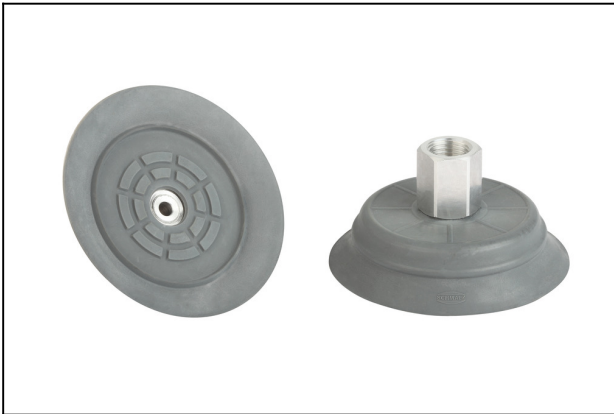
Part no.:10.01.01.12216

<https://www.schmalz.com/10.01.01.12216>

Homepage > Vacuum Technology for Automation > Vacuum Components > Vacuum Suction Cups > Suction Cups for Handling Wood > Flat

Suction Cups SHFN > SHFN 70 NK-45 G1/4-IG E

### Flat suction cup (round) for highly dynamic handling of wood



Size: 70

Suction cup material:

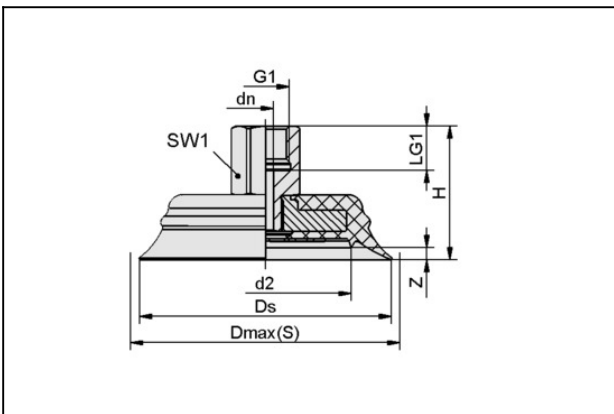
Natural Rubber NK

Material hardness: 45 °Sh

Vacuum connection: G1/4"-F

Type: E

### Design Data



Attribute	Value
dn	4.4 mm
Dmax(S)	74 mm
Ds	70 mm
G1	G1/4"-F
H	37.2 mm
LG1	12.4 mm
SW1	17 mm
Z (Stroke)	4 mm
d2	48 mm

### Technical Data

## Flat suction cup (round)

SHFN 70 NK-45 G1/4-IG E

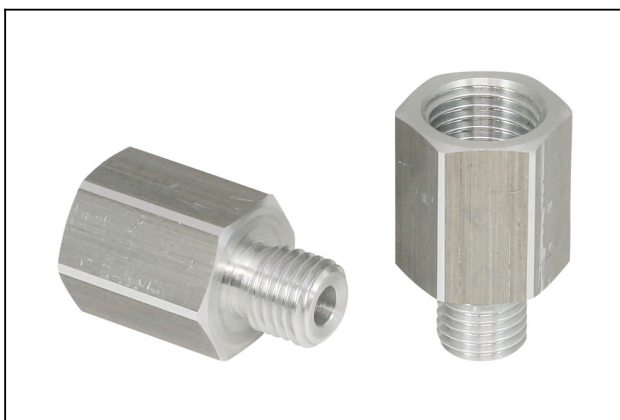
Part no.:10.01.01.12216

<https://www.schmalz.com/10.01.01.12216>

Attribute	Value
Size	70
Suction cup material	Natural rubber NK
Suction force d2	100 N
Suction force (-600mbar)	200 N
Lateral force	145 N
Volume	16 cm <sup>3</sup>
Curve radius (min) (convex)	95 mm
Hose diameter (empf.) d	6 mm
Number of folds	0
Weight	62 g
Product family	SHFN

Note: Suction force: The specified suction forces are theoretical values at a vacuum of -0.6 bar and with a smooth, dry workpiece surface - they do not include a safety factor Pull-off force: The pull-off force of the versions made of natural rubber is reduced by about 40% Hose diameter: The recommended hose diameter refers to a hose length of approx. 2 m

### Spare Parts



#### SA-NIP N009 G1/4-IG DN440

Part no.10.01.01.12192

Suction cup connection nipple

Nipple: N 009

Thread G1: G1/4"-F

Overall length: 29.3 mm

Fitting length: 19.3 mm

Nominal size: 4,40 mm

Material: Aluminium

## Flat suction cup (round)

SHFN 70 NK-45 G1/4-IG E

Part no.:10.01.01.12216

<https://www.schmalz.com/10.01.01.12216>



### SHF 70 NK-45 M10x1.25-IG E

Part no.10.01.01.12165

Flat suction cup (round) for highly dynamic handling of wood

Size: 70

Suction cup material:

Natural Rubber NK

Connection thread: M10x1.25-F

Material hardness: 45 °Sh

Type: E

## Accessories



### SIEB 14.5x1 MS-A2 0.103/0.15

Part no.10.05.03.00023

Screen protects the vacuum system from contamination

External diameter D: 14.5 mm

Length L: 1 mm

Material: Brass / Stainless steel

Mesh: 0.103 mm

Wire size: 0.15 mm