

Flat suction cup (round)

SGP 20 FPM-65 N016

Part no.:10.01.01.12909

<https://www.schmalz.com/10.01.01.12909>

Homepage > Vacuum Technology for Automation > Vacuum Components > Vacuum Suction Cups > Suction Cups for Plastic Films and Paper >

SGP 20 FPM-65 N016

Flat suction cup (round) for careful gripping of paper, plastic film, etc.



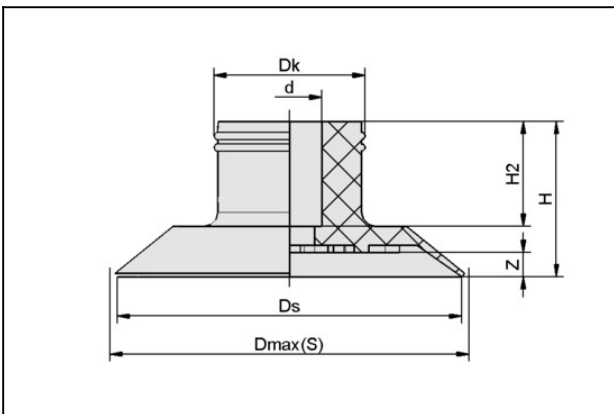
Size: 20

Suction cup material:

Fluorocautchuc FPM

Material hardness: 65 °Sh

Design Data



Attribute	Value
d	4.5 mm
Dk	11 mm
Dmax(S)	22 mm
Ds	20 mm
H	10.4 mm
H2	7.1 mm
Z (Stroke)	1.5 mm

Technical Data

Attribute	Value
Suction force (-600mbar)	8.5 N



Flat suction cup (round)

SGP 20 FPM-65 N016

Part no.:10.01.01.12909

<https://www.schmalz.com/10.01.01.12909>

Attribute	Value
Volume	0.599 cm ³
Size	20
Nipple family	N 016
Number of folds	0
Suction cup material	Fluorocaoutchuc FPM
Material hardness [Shore A]	65 Shore A
Weight	1.5 g
Product family	SGP
