

## Suction plate (oval)

### SPLO 100x30 NBR-55

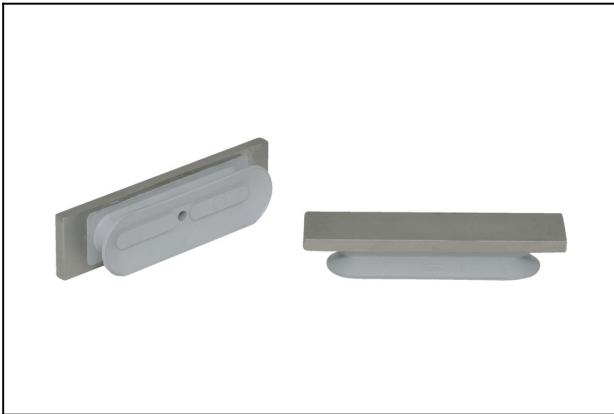
Part no.:10.01.05.00182

<https://www.schmalz.com/10.01.05.00182>

Homepage > Vacuum Technology for Automation > Vacuum Components > Vacuum Suction Cups > Flat Suction Cups (Oval) > Suction Plates

SPLO > SPLO 100x30 NBR-55

## Flat suction cup (oval) for narrow or curved workpieces



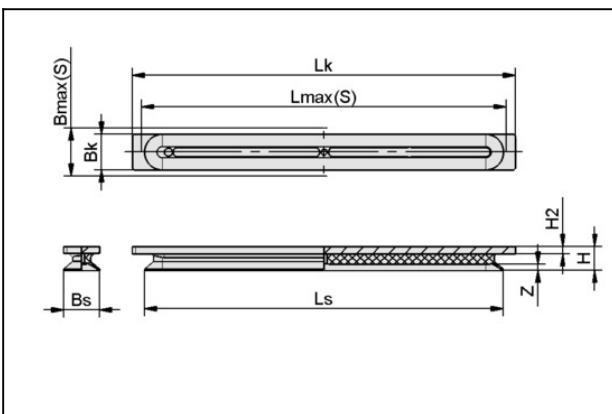
Dimensions (LxW): 100 x 30 mm

Suction cup material:

Nitrile rubber NBR

Material hardness: 55 °Sh

## Design Data



Attribute	Value
Bk	30 mm
Bmax(S)	33.5 mm
Bs	28.7 mm
H	21 mm
H2	6 mm
Lk	120 mm
Lmax(S)	120 mm
Ls	98 mm
Z (Stroke)	5 mm

## Technical Data



## Suction plate (oval)

### SPLO 100x30 NBR-55

Part no.:10.01.05.00182

<https://www.schmalz.com/10.01.05.00182>

Attribute	Value
Suction force (-600mbar)	126 N
Volume	10.015 cm <sup>3</sup>
Curve radius (min) (convex)	25 mm
Number of folds	0
Dimensions (LxB)	100 x 30
Suction cup material	Nitrile rubber NBR
Weight	200 g
Product family	SPLO

Note: Suction force: The specified suction forces are theoretical values at a vacuum of -0.6 bar and with a smooth, dry workpiece surface - they do not include a safety factor

---

---