

Flat suction cup (round)

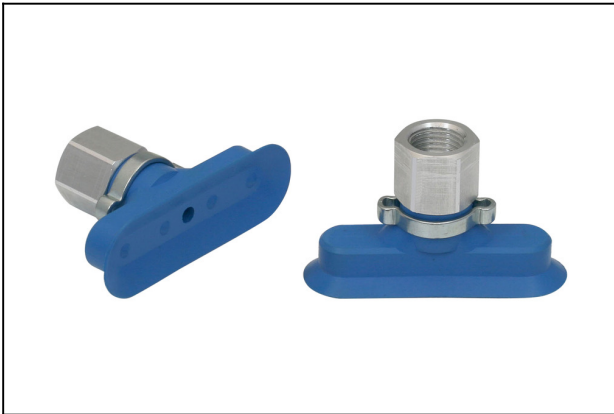
SGON 60x20 HT1-60 G1/4-IG

Part no.:10.01.05.00423

<https://www.schmalz.com/10.01.05.00423>

Homepage > Vacuum Technology for Automation > Vacuum Components > Vacuum Suction Cups > Flat Suction Cups (Oval) > Flat Suction Cups SGON > SGON 60x20 HT1-60 G1/4-IG

Flat suction cup (oval) for long and also curved workpieces



Dimensions (LxW): 60 x 20 mm

Suction cup material:

High temp material HT1

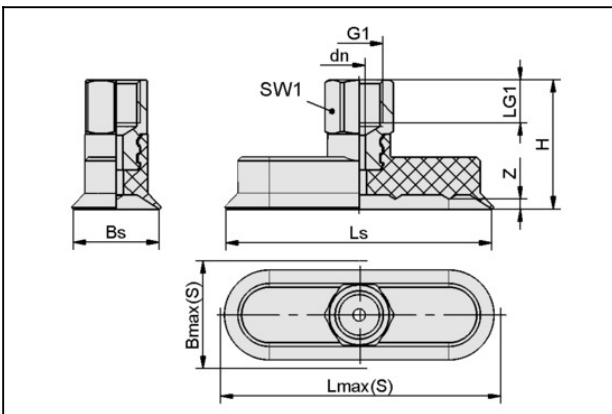
Material hardness: 60 °Sh

Material property: non-marking

Nipple material: Aluminium

Vacuum connection: G1/4"-F

Design Data



Attribute	Value
Bmax(S)	22 mm
Bs	20 mm
dn	3.5 mm
G1	G1/4"-F
H	36 mm
LG1	12 mm
Lmax(S)	61 mm
Ls	60 mm
SW1	17 mm
Z (Stroke)	2.5 mm

Flat suction cup (round)

SGON 60x20 HT1-60 G1/4-IG

Part no.:10.01.05.00423

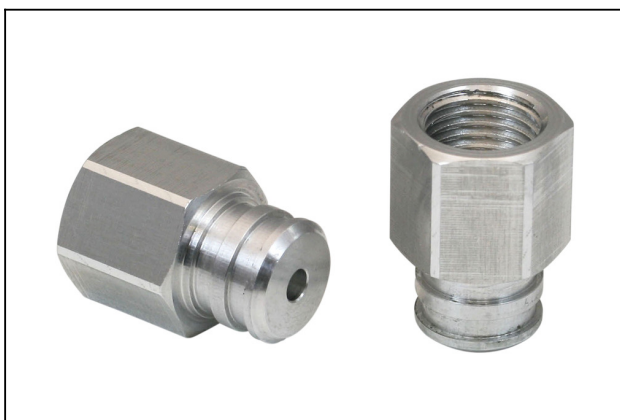
<https://www.schmalz.com/10.01.05.00423>

Technical Data

Attribute	Value
Suction force (-600mbar)	50.1 N
Volume	3.611 cm ³
Curve radius (min) (convex)	20 mm
Hose diameter (empf.) d	6 mm
Dimensions (LxB)	60 x 20
Number of folds	0
Suction cup material	High temp material HT1
Material hardness [Shore A]	60.0 Shore A
Weight	18.5 g
Product family	SGON

Note: Suction force: The specified suction forces are theoretical values at a vacuum of -0.6 bar and with a smooth, dry workpiece surface - they do not include a safety factor Hose diameter: The recommended hose diameter refers to a hose length of approx. 2 m

Spare Parts



SA-NIP N023 G1/4-IG DN350

Part no.10.01.05.00121

Suction cup connection nipple

Nipple: N 023

Thread G1: G1/4"-F

Overall length: 25 mm

Fitting length: 15 mm

Nominal size: 3,50 mm

Material: Aluminium

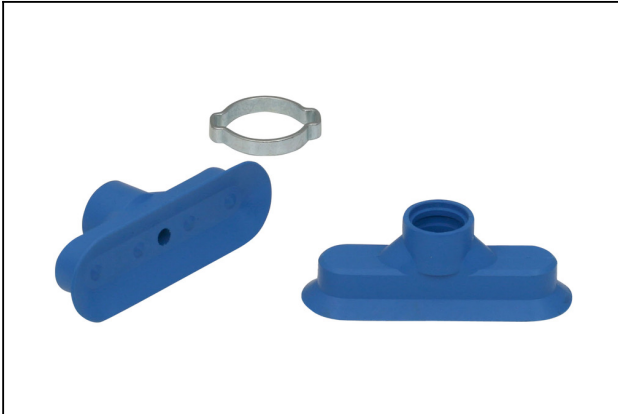
Spanner size SW2: 5 mm

Flat suction cup (round)

SGON 60x20 HT1-60 G1/4-IG

Part no.:10.01.05.00423

<https://www.schmalz.com/10.01.05.00423>



SGO 60x20 HT1-60 N023

Part no.10.01.05.00440

Flat suction cup (oval) for narrow or curved workpieces

Dimensions (LxW): 60 x 20 mm

Suction cup material:

High temp material HT1

Material hardness: 60 °Sh

Material property: imprint-free



ZOKL 15-18

Part no.10.07.10.00033

Two-ear clamp

Clamping range: 15.0 ... 18.0 mm

Material: Steel galvanised