

Flat suction cup (round)

SAOF 120x60 NBR-45 M14x1.5-AG

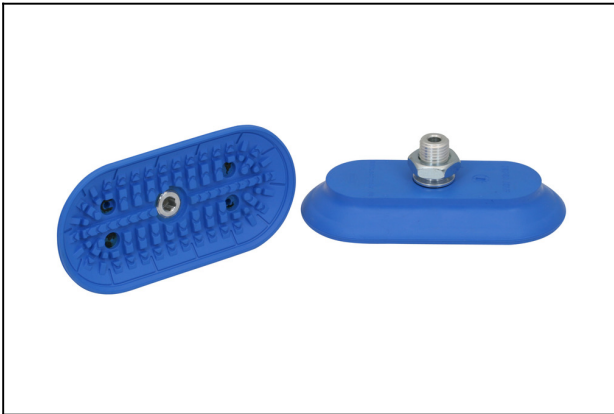
Part no.:10.01.05.00599

<https://www.schmalz.com/10.01.05.00599>

Homepage > Vacuum Technology for Automation > Vacuum Components > Vacuum Suction Cups > Suction Cups for Handling Sheet Metal >

Flat Suction Cups SAOF (Oval) > SAOF 120x60 NBR-45 M14x1.5-AG

Flat suction cup (oval) for very dynamic handling of smooth and oily workpieces



Dimensions (LxW): 120 x 60 mm

Suction cup material:

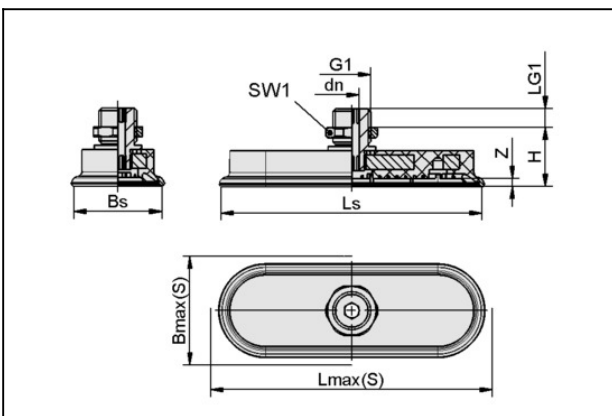
Nitrile rubber NBR

Material hardness: 45 °Sh

Nipple material: Aluminium

Vacuum connection: M14x1.5-M

Design Data



Attribute	Value
Bmax(S)	65 mm
Bs	57.6 mm
dn	6 mm
G1	M14x1.5-M
H	26 mm
LG1	10 mm
Lmax(S)	128 mm
Ls	126.6 mm
SW1	22 mm
Z (Stroke)	6 mm

Flat suction cup (round)

SAOF 120x60 NBR-45 M14x1.5-AG

Part no.:10.01.05.00599

<https://www.schmalz.com/10.01.05.00599>



Technical Data

Attribute	Value
Suction force (-600mbar)	312 N
Lateral force	254 N
Lateral force (oily surface)	170 N
Volume	39.9 cm ³
Curve radius (min) (convex)	75 mm
Hose diameter (empf.) d	6 mm
Dimensions (LxB)	120 x 60
Number of folds	0
Suction cup material	Nitrile rubber NBR
Material hardness [Shore A]	45.0 Shore A
Weight	90 g
Product family	SAOF

Note: Suction force: The specified suction forces are theoretical values at a vacuum of -0.6 bar and with a smooth, dry workpiece surface - they do not include a safety factor Lateral force: The specified lateral forces are values measured at a vacuum of -0.6 bar with a dry or oily, smooth, flat workpiece surface. Depending on the workpiece surface and its quality, the actual values may deviate from these values Hose diameter: The recommended hose diameter refers to a hose length of approx. 2 m