

## Bell suction cup (round)

### FSG 9 NBR-55 G1/8-AG

Part no.:10.01.06.00022

<https://www.schmalz.com/10.01.06.00022>

Homepage > Vacuum Technology for Automation > Vacuum Components > Vacuum Suction Cups > Bellows Suction Cups (Round) > Bellows Suction Cups FSG (2.5 Folds) > FSG 9 NBR-55 G1/8-AG

## Bellows suction cup (round) for very uneven workpieces



Size: 9

Suction cup material:

Nitrile rubber NBR

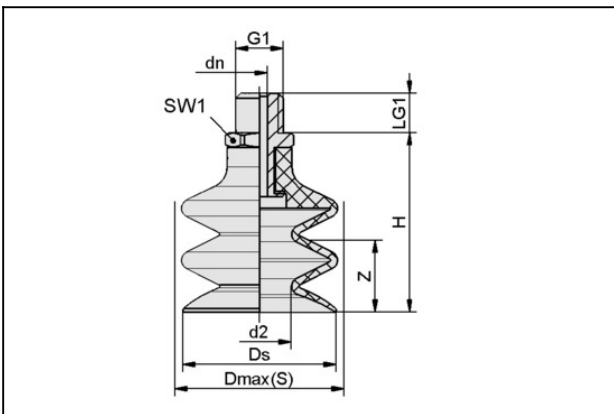
Material hardness: 55 °Sh

Nipple material: Aluminium

Vacuum connection: G1/8"-M

Number of folds: 2.5

## Design Data



Attribute	Value
d2	4.1 mm
dn	3.5 mm
Dmax(S)	9.5 mm
Ds	9 mm
G1	G1/8"-M
H	21 mm
LG1	7.5 mm
SW1	14 mm
Z (Stroke)	3 mm

## Technical Data

## Bell suction cup (round)

### FSG 9 NBR-55 G1/8-AG

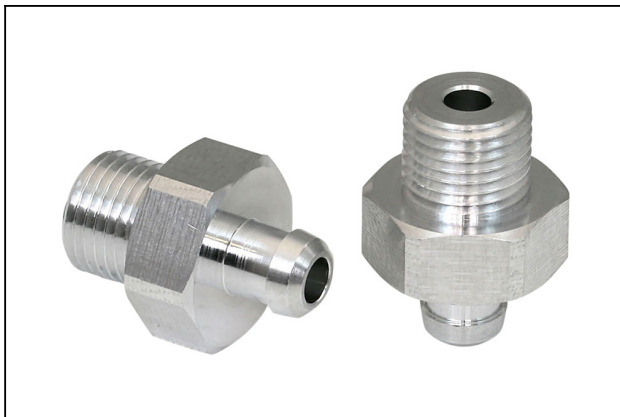
Part no.:10.01.06.00022

<https://www.schmalz.com/10.01.06.00022>

Attribute	Value
Suction cup material	Nitrile rubber NBR
Material hardness [Shore A]	55.0 Shore A
Size	9
Number of folds	2.5
Connection	G1/8-AG
Curve radius (min) (convex)	10 mm
Volume	0.15 cm <sup>3</sup>
Suction force (-600mbar)	0.79 N
Pull-off force	2.3 N
Hose diameter (empf.) d	4 mm
Weight	4.5 g
Product family	FSG

Note: Suction force: The specified suction forces are theoretical values at a vacuum of -0.6 bar and with a smooth, dry workpiece surface - they do not include a safety factor Pull-off force: The pull-off force of the versions made of natural rubber is reduced by about 40% Hose diameter: The recommended hose diameter refers to a hose length of approx. 2 m

## Spare Parts



### SA-NIP N016 G1/8-AG DN350

Part no.10.01.06.05735

Suction cup connection nipple

Nipple: N 016

Thread G1: G1/8"-M

Overall length: 20 mm

Fitting length: 6 mm

Nominal size: 3,50 mm

Material: Aluminium

## Bell suction cup (round)

FSG 9 NBR-55 G1/8-AG

Part no.:10.01.06.00022

<https://www.schmalz.com/10.01.06.00022>



### FG 9 NBR-55 N016

Part no.10.01.06.00051

Bellows suction cup (round) for very uneven workpieces

Size: 9

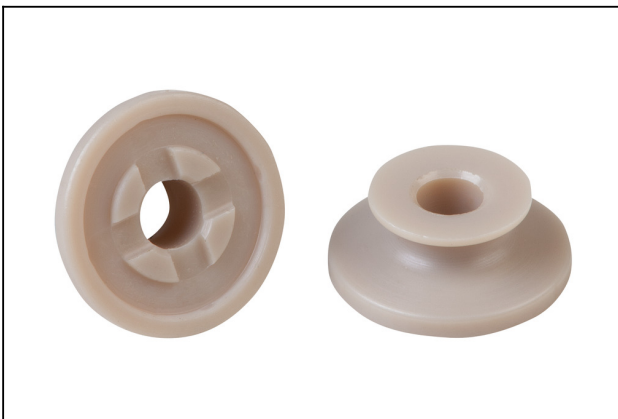
Suction cup material:

Nitrile rubber NBR

Material hardness: 55 °Sh

Number of folds: 2.5

## Accessories



### SPI 9 PEEK

Part no.10.01.06.03280

Suction cup insert for handling of sensitive workpieces without leaving marks

Size: 9

Material: Polyetheretherketon