

## Bell suction cup (round)

FSGA 33 NK-45 G1/4-IG

Part no.:10.01.06.00415

<https://www.schmalz.com/10.01.06.00415>

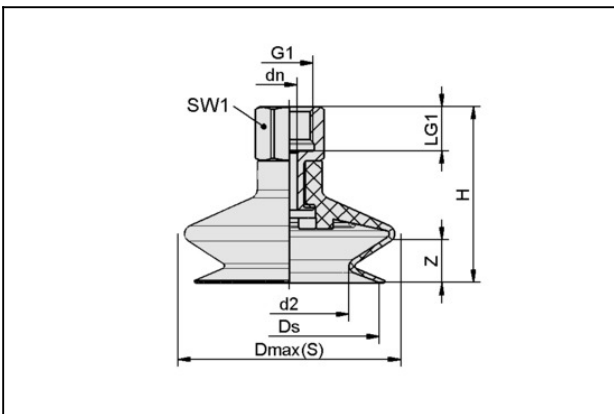
Homepage > Vacuum Technology for Automation > Vacuum Components > Vacuum Suction Cups > Bellows Suction Cups (Round) > Bellows Suction Cups FSGA (1.5 Folds) > FSGA 33 NK-45 G1/4-IG

### Bellows suction cup (round) with optimal adaptation to uneven surfaces



Size: 33  
 Number of folds: 1.5  
 Suction cup material:  
 Natural Rubber NK  
 Material hardness: 45 °Sh  
 Nipple material: Aluminium  
 Vacuum connection: G1/4"-F

### Design Data



Attribute	Value
d2	17 mm
Dmax(S)	38 mm
dn	4.4 mm
Ds	30 mm
G1	G1/4"-F
H	42 mm
LG1	12 mm
SW1	17 mm
Z (Stroke)	9 mm

### Technical Data

## Bell suction cup (round)

### FSGA 33 NK-45 G1/4-IG

Part no.:10.01.06.00415

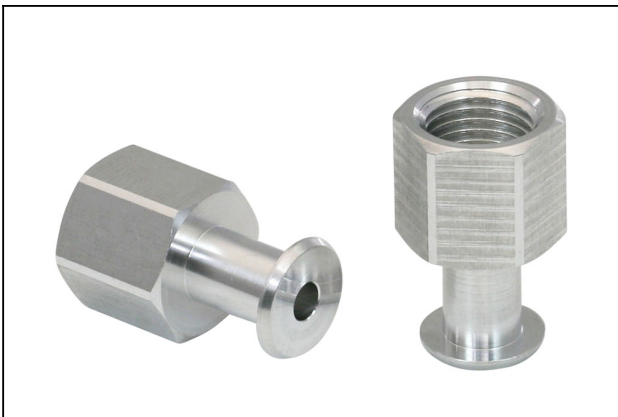
<https://www.schmalz.com/10.01.06.00415>



Attribute	Value
Suction cup material	Natural rubber NK
Material hardness [Shore A]	45.0 Shore A
Size	33
Number of folds	1.5
Connection	G1/4-IG
Curve radius (min) (convex)	40 mm
Volume	4.75 cm <sup>3</sup>
Suction force (-600mbar)	13.6 N
Pull-off force	39.6 N
Hose diameter (empf.) d	6 mm
Weight	16 g
Product family	FSGA

Note: Suction force: The specified suction forces are theoretical values at a vacuum of -0.6 bar and with a smooth, dry workpiece surface - they do not include a safety factor Pull-off force: The pull-off force of the versions made of natural rubber is reduced by about 40% Hose diameter: The recommended hose diameter refers to a hose length of approx. 2 m

## Spare Parts



### SA-NIP N018 G1/4-IG DN440

Part no.10.01.06.01066

Suction cup connection nipple

Nipple: N 018

Thread G1: G1/4"-F

Overall length: 28.8 mm

Fitting length: 15 mm

Nominal size: 4,40 mm

Material: Aluminium

Spanner size SW2: 5 mm

## Bell suction cup (round)

FSGA 33 NK-45 G1/4-IG

Part no.:10.01.06.00415

<https://www.schmalz.com/10.01.06.00415>



### **FGA 33 NK-45 N018**

Part no.10.01.06.00426

Bellows suction cup (round) with optimal adaptation to uneven surfaces

Size: 33

Suction cup material:

Natural Rubber NK

Material hardness: 45 °Sh

Number of folds: 1.5