

Bell suction cup (round)

FSG 25 NK-45 G1/8-AG

Part no.:10.01.06.00443

<https://www.schmalz.com/10.01.06.00443>

Homepage > Vacuum Technology for Automation > Vacuum Components > Vacuum Suction Cups > Bellows Suction Cups (Round) > Bellows

Suction Cups FSG (2.5 Folds) > FSG 25 NK-45 G1/8-AG

Bellows suction cup (round) for very uneven workpieces



Size: 25

Suction cup material:

Natural Rubber NK

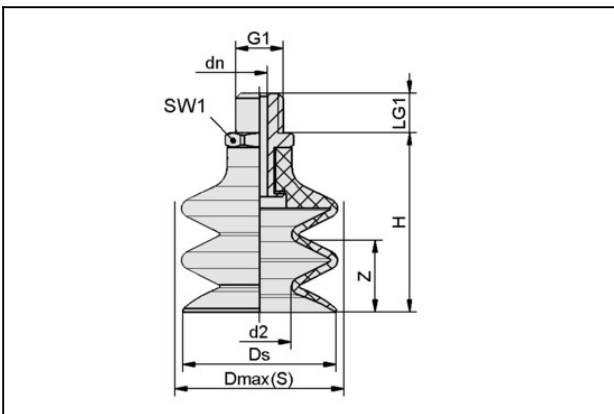
Material hardness: 45 °Sh

Nipple material: Aluminium

Vacuum connection: G1/8"-M

Number of folds: 2.5

Design Data



Attribute	Value
d2	10 mm
dn	3.5 mm
Dmax(S)	26 mm
Ds	23 mm
G1	G1/8"-M
H	40 mm
LG1	7.5 mm
SW1	14 mm
Z (Stroke)	18 mm

Technical Data

Bell suction cup (round)

FSG 25 NK-45 G1/8-AG

Part no.:10.01.06.00443

<https://www.schmalz.com/10.01.06.00443>

Attribute	Value
Suction cup material	Natural rubber NK
Material hardness [Shore A]	45.0 Shore A
Size	25
Number of folds	2.5
Connection	G1/8-AG
Curve radius (min) (convex)	30 mm
Volume	5.222 cm ³
Suction force (-600mbar)	4.71 N
Pull-off force	19 N
Hose diameter (empf.) d	4 mm
Weight	8 g
Product family	FSG

Note: Suction force: The specified suction forces are theoretical values at a vacuum of -0.6 bar and with a smooth, dry workpiece surface - they do not include a safety factor Pull-off force: The pull-off force of the versions made of natural rubber is reduced by about 40% Hose diameter: The recommended hose diameter refers to a hose length of approx. 2 m

Spare Parts



SA-NIP N016 G1/8-AG DN350

Part no.10.01.06.05735

Suction cup connection nipple

Nipple: N 016

Thread G1: G1/8"-M

Overall length: 20 mm

Fitting length: 6 mm

Nominal size: 3,50 mm

Material: Aluminium

Bell suction cup (round)

FSG 25 NK-45 G1/8-AG

Part no.:10.01.06.00443

<https://www.schmalz.com/10.01.06.00443>



FG 25 NK-45 N016

Part no.10.01.06.00456

Bellows suction cup (round) for very uneven workpieces

Size: 25

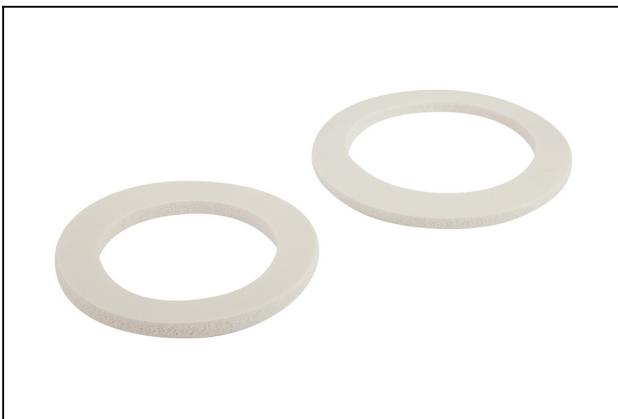
Suction cup material:

Natural Rubber NK

Material hardness: 45 °Sh

Number of folds: 2.5

Accessories



DR 22.5/13x2 MOS SI-15

Part no.10.01.06.02614

Gasket made from special foam for optimal sealing of structured surfaces

External diameter D: 22.5 mm

Internal diameter d: 13 mm

Height H: 2 mm

Material-Type: Foam rubber

Sealing material: Silicone SI

Material hardness: 15 °Sh



FD 18 120

Part no.10.01.06.02567

Filter disc

External diameter D: 18 mm

Filter pore size: 120 µm

for: Bellows suction cup

Size: FG25/FGA25

Bell suction cup (round)

FSG 25 NK-45 G1/8-AG

Part no.:10.01.06.00443

<https://www.schmalz.com/10.01.06.00443>



SPI 25 PEEK

Part no.10.01.06.03286

Suction cup insert for handling of sensitive workpieces
without leaving marks

Size: 25

Material: Polyetheretherketon