

## Bellows suction cup (rectangular)

FSGB-R 80x40 SI-50 G1/4-AG

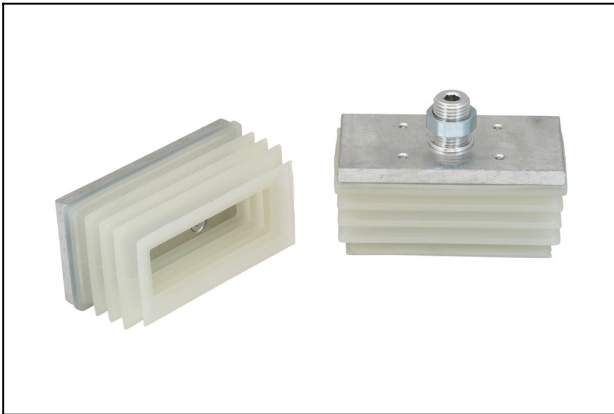
Part no.:10.01.06.02285

<https://www.schmalz.com/10.01.06.02285>

Homepage > Vacuum Technology for Automation > Vacuum Components > Vacuum Suction Cups > Suction Cups for Packaging > Bellows

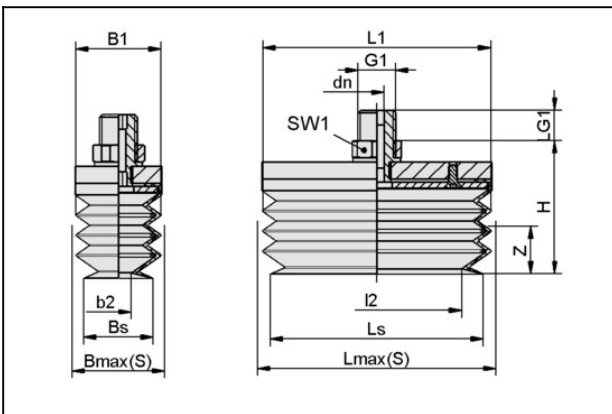
Suction Cups FSGB-R (Rectangular) > FSGB-R 80x40 SI-50 G1/4-AG

## Bellows suction cup (rectangular)



Dimensions (LxW): 80 x 40 mm  
 Suction cup material: Silicone SI  
 Material hardness: 50 °Sh  
 Number of folds: 3.5  
 Nipple material: Aluminium  
 Vacuum connection: G1/4"-M

## Design Data



Attribute	Value
b2	19 mm
B1	34 mm
Bmax(S)	44 mm
Bs	34 mm
dn	5 mm
G1	G1/4"-M
H	57 mm
l2	59 mm
L1	74 mm
LG1	10.5 mm
Lmax(S)	84 mm
Ls	74 mm
SW1	17 mm

# Bellows suction cup (rectangular)

FSGB-R 80x40 SI-50 G1/4-AG

Part no.:10.01.06.02285

<https://www.schmalz.com/10.01.06.02285>



Attribute	Value
Z (Stroke)	12.5 mm

---

## Technical Data

Attribute	Value
Suction force (-600mbar)	61 N
Volume	61 cm <sup>3</sup>
Curve radius (min) (convex)	15 mm
Hose diameter (empf.) d	9 mm
Dimensions (LxB)	80 x 40
Number of folds	3.5
Suction cup material	Silicone SI
Material hardness [Shore A]	50 Shore A
Weight	99 g
Product family	FSGB-R

Note: Suction force: The specified suction forces are theoretical values at a vacuum of -0.6 bar and with a smooth, dry workpiece surface - they do not include a safety factor  
Hose diameter: The recommended hose diameter refers to a hose length of approx. 2 m

---

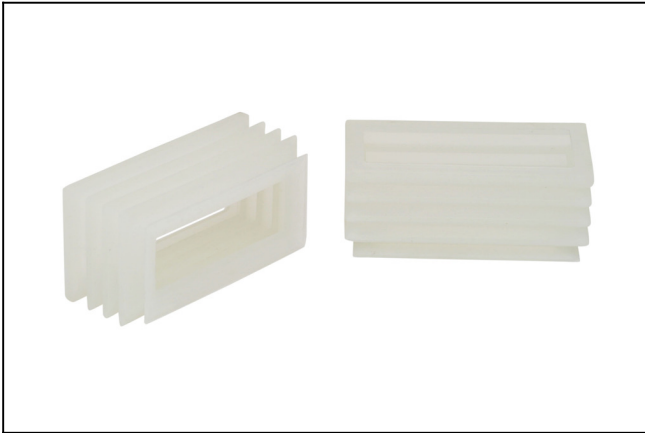
## Spare Parts

## Bellows suction cup (rectangular)

FSGB-R 80x40 SI-50 G1/4-AG

Part no.:10.01.06.02285

<https://www.schmalz.com/10.01.06.02285>



### **FGB-R 80x40 SI-50**

Part no.10.01.06.01113

Bellows suction cup (rectangular)

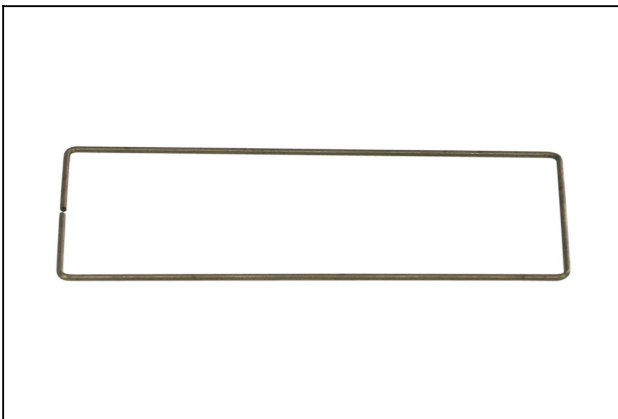
Dimensions (LxW): 80 x 40 mm

Suction cup material: Silicone SI

Material hardness: 50 °Sh

Number of folds: 3.5

## Accessories



### **ST-RAHM 75x36 1**

Part no.10.01.06.02279

Supporting frame

Length L: 75 mm

Width B: 36 mm

Diameter: 1 mm