

Bellows suction cup (round)

FG 40 PVC-50 N033

Part no.:10.01.06.02468

<https://www.schmalz.com/10.01.06.02468>

Homepage > Vacuum Technology for Automation > Vacuum Components > Vacuum Suction Cups > Suction Cups for Packaging > Bellows

Suction Cups FG PVC (2.5 Folds) > FG 40 PVC-50 N033

Bellows suction cup (round) for very uneven workpieces



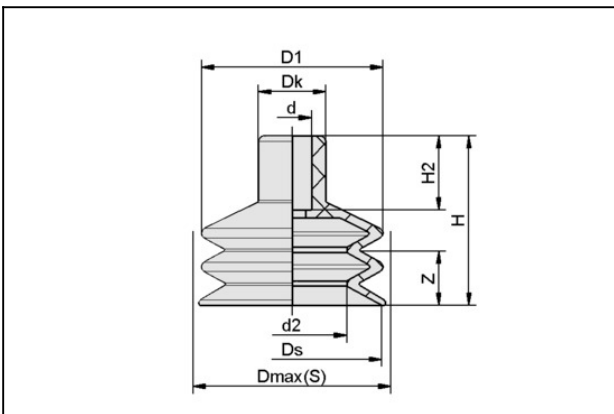
Size: 40

Suction cup material: PVC

Material hardness: 50 °Sh

Number of folds: 2.5

Design Data



Attribute	Value
d	10.8 mm
d2	23.4 mm
D1	40.4 mm
Dk	18.7 mm
Dmax(S)	44 mm
Ds	40 mm
H	41.7 mm
H2	20.7 mm
Z (Stroke)	10.9 mm

Technical Data

Bellows suction cup (round)

FG 40 PVC-50 N033

Part no.:10.01.06.02468

<https://www.schmalz.com/10.01.06.02468>



Attribute	Value
Suction force (-600mbar)	21.7 N
Pull-off force	56 N
Volume	15.218 cm ³
Curve radius (min) (convex)	60 mm
Hose diameter (empf.) d	6 mm
Size	40
Nipple family	N 033
Number of folds	2.5
Suction cup material	PVC
Material hardness [Shore A]	50 Shore A
Weight	14.3 g
Product family	FG

Note: Suction force: The specified suction forces are theoretical values at a vacuum of -0.6 bar and with a smooth, dry workpiece surface - they do not include a safety factor
Hose diameter: The recommended hose diameter refers to a hose length of approx. 2 m

Accessories



SA-NIP N033 G1/4-AG DN550

Part no.10.01.01.00818

Suction cup connection nipple

Nipple: N 033

Thread G1: G1/4"-M

Overall length: 28 mm

Fitting length: 5 mm

Nominal size: 5,50 mm

Material: Aluminium

Spanner size SW2: 6 mm

Bellows scution cup (round)

FG 40 PVC-50 N033

Part no.:10.01.06.02468

<https://www.schmalz.com/10.01.06.02468>



SA-NIP N033 G1/4-IG DN550

Part no.10.01.01.00817

Suction cup connection nipple

Nipple: N 033

Thread G1: G1/4"-F

Overall length: 28 mm

Fitting length: 15 mm

Nominal size: 5,50 mm

Material: Aluminium

Spanner size SW2: 6 mm