

Bell suction cup (round)

FSGPL 200 HT1-60 G1/2-IG

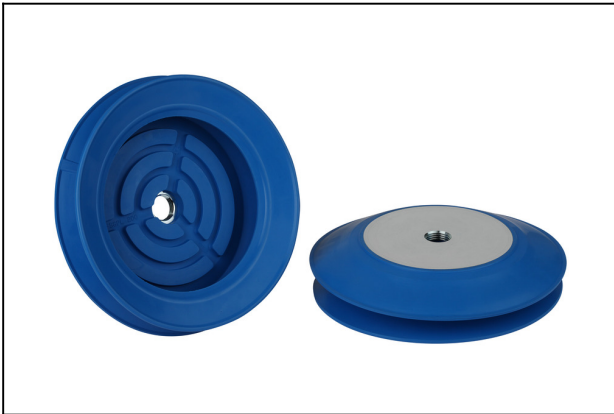
Part no.:10.01.06.03146

<https://www.schmalz.com/10.01.06.03146>

Homepage > Vacuum Technology for Automation > Vacuum Components > Vacuum Suction Cups > Bellows Suction Cups (Round) > Bellows

Suction Cups FSGPL (1.5 Folds) > FSGPL 200 HT1-60 G1/2-IG

Bellows suction cup (round) for large, heavy and uneven workpieces



Size: 200

Suction cup material:

High temp material HT1

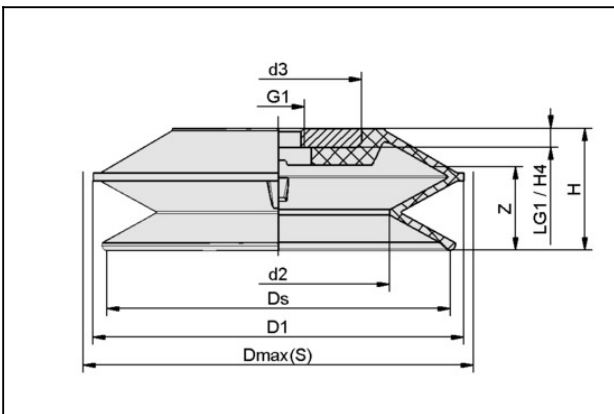
Material hardness: 60 °Sh

Vacuum connection: G1/2"-F

Nipple material: Steel

Number of folds: 1.5

Design Data



Attribute	Value
d2	137 mm
d3	119.4 mm
D1	202 mm
Dmax(S)	208 mm
Ds	191 mm
G1	G1/2"-F
H	54 mm
H4	8 mm
LG1	8 mm
Z (Stroke)	37.2 mm

Bell suction cup (round)

FSGPL 200 HT1-60 G1/2-IG

Part no.:10.01.06.03146

<https://www.schmalz.com/10.01.06.03146>



Technical Data

Attribute	Value
Suction force (-600mbar)	850 N
Pull-off force	950 N
Volume	876.516 cm ³
Curve radius (min) (convex)	350 mm
Hose diameter (empf.) d	12 mm
Size	200
Suction cup material	High temp material HT1
Material hardness [Shore A]	60.0 Shore A
Weight	1,014.5 g
Number of folds	1.5
Product family	FSGPL

Note: Suction force: The specified suction forces are theoretical values at a vacuum of -0.6 bar and with a smooth, dry workpiece surface - they do not include a safety factor Hose diameter: The recommended hose diameter refers to a hose length of approx. 2 m