

Suspension flexible

FST-FLEX 50 HD2 G1/2-AG G3/8-IG

Part no.:10.01.10.05168

<https://www.schmalz.com/10.01.10.05168>

Homepage > Vacuum Technology for Automation > Vacuum Components > Mounting Elements > Suspension, rigid/flexible - Set > Suspension

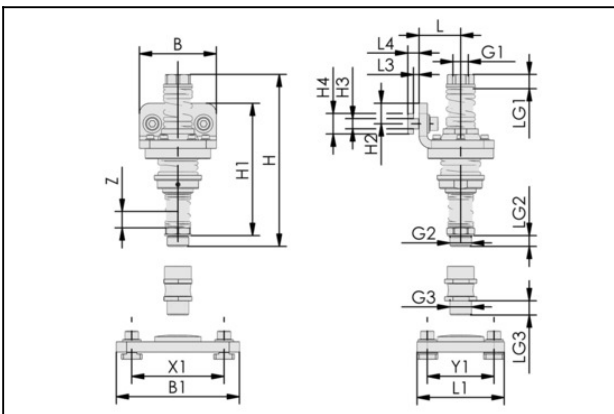
Flexible FST-FLEX > FST-FLEX 50 HD2 G1/2-AG G3/8-IG

Spring plunger with both-way damping and height compensation, heavy-duty



Spring stroke Z: 50 mm
Shape: Heavy Duty 2 sp. plug
for: Mounting section

Design Data



Attribute	Value
B	150 mm
G1	G3/8"-F
G2	G1/2"-M
G3	G1/2"-M
H	199.8 mm
H1	161 mm
H2	20 mm
H3	10 mm
H4	20 mm
L	40.5 mm
L3	5.6 mm
L4	11.1 mm
LG1	14.5 mm

Suspension flexible

FST-FLEX 50 HD2 G1/2-AG G3/8-IG

Part no.:10.01.10.05168

<https://www.schmalz.com/10.01.10.05168>

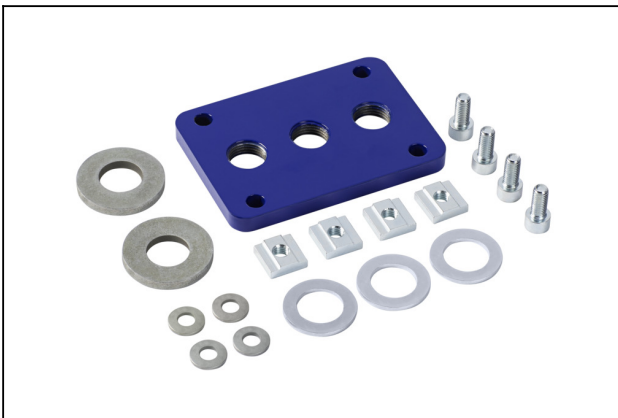


Attribute	Value
LG2	10.5 mm
LG3	14 mm
Z (Stroke)	50 mm

Technical Data

Attribute	Value
Weight	2,800 g
Spring rate	1.81 N/mm

Accessories



FLAN-PL 120x85x10 ST FLGR

Part no.10.01.10.05701

Flange plate

Length L: 120 mm

Width B: 85 mm

Height H: 10 mm

Material: Steel

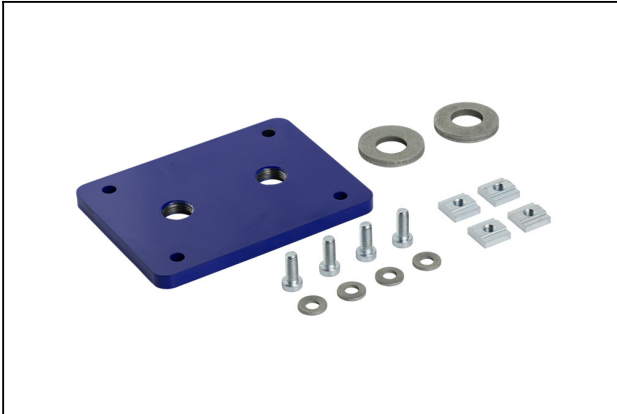
for: Large-area vacuum gripper

Suspension flexible

FST-FLEX 50 HD2 G1/2-AG G3/8-IG

Part no.:10.01.10.05168

<https://www.schmalz.com/10.01.10.05168>



FLAN-PL 160x120x10 FMHD

Part no.10.01.10.08805

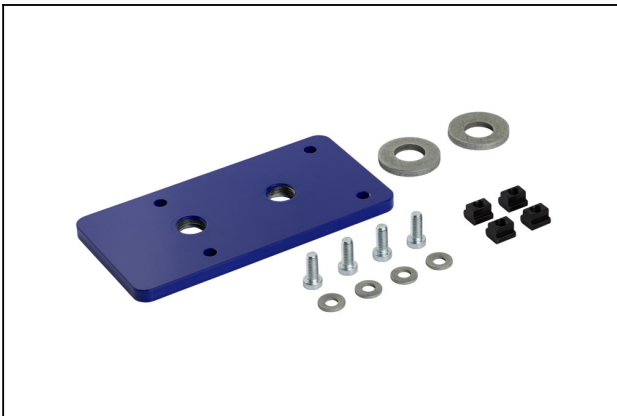
Flange plate

Length L: 160 mm

Width B: 120 mm

Height H: 10 mm

for: Large-area vac grip FMHD



FLAN-PL 200x100x10 ST SBX

Part no.10.01.11.02823

Flange plate

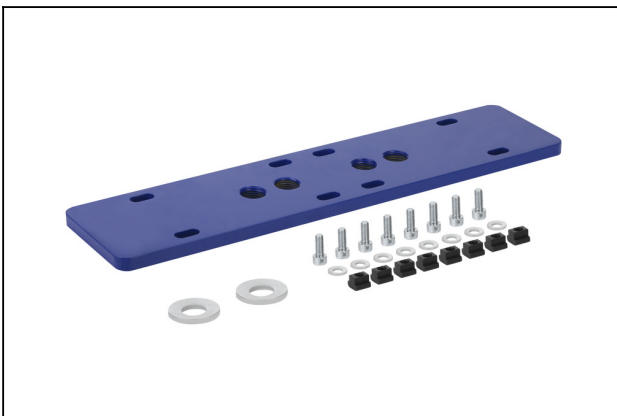
Length L: 200 mm

Width B: 100 mm

Height H: 10 mm

Material: Steel

for: Large-area vacuum gripper



FLAN-PL 260x90x10 FLGR

Part no.10.01.10.05704

Flange plate

Length L: 260 mm

Width B: 90 mm

Height H: 10 mm

for: Large-area vacuum gripper

Suspension flexible

FST-FLEX 50 HD2 G1/2-AG G3/8-IG

Part no.:10.01.10.05168

<https://www.schmalz.com/10.01.10.05168>



FLAN-PL 400x90x10 ST SBX

Part no.10.01.10.05702

Flange plate

Length L: 400 mm

Width B: 90 mm

Height H: 10 mm

Material: Steel

for: Large-area vacuum gripper



FLK G1/2-IG G1/2-AG

Part no.10.01.03.00175

Flexible suction cup mounting for adaptation to sloping surfaces

Thread G1: G1/2"-F

Thread G2: G1/2"-M

Ambient temperature: 0 ... 70 °C



FLK G1/2-IG G1/2-AG V

Part no.10.01.03.00207

Flexible suction cup mounting for adaptation to sloping surfaces

Thread G1: G1/2"-F

Thread G2: G1/2"-M

Shape: Reinforced

Ambient temperature: 0 ... 70 °C