

Suspension rigid

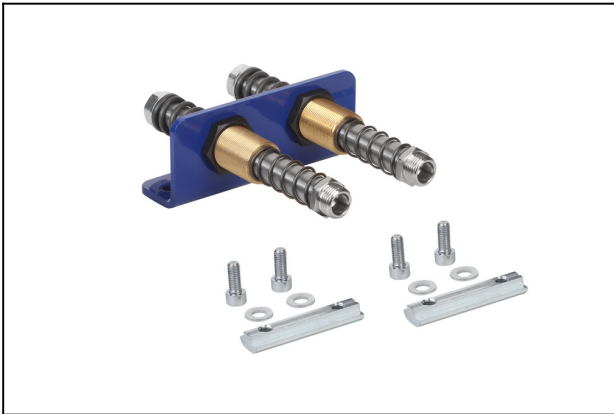
FST-STARR 25 HD2 G1/2-AG G3/8-IG

Part no.:10.01.10.05806

<https://www.schmalz.com/10.01.10.05806>

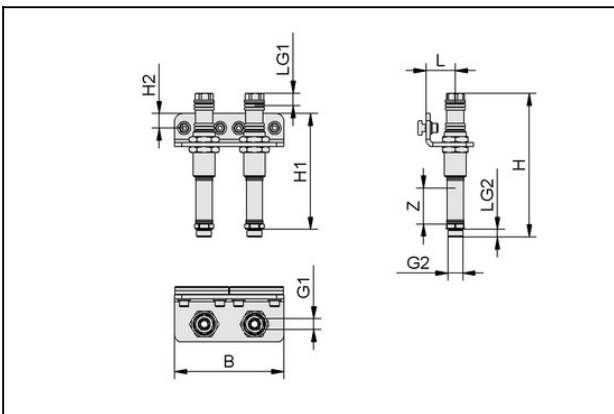
Homepage > Vacuum Technology for Automation > Vacuum Components > Mounting Elements > Suspension, rigid/flexible - Set > Suspension rigid FST-STARR > FST-STARR 25 HD2 G1/2-AG G3/8-IG

Spring plunger with both-way damping and height compensation, heavy-duty



Spring stroke Z: 25 mm
 Shape: Heavy Duty 2 spr. plunger
 for: Mounting section

Design Data



Attribute	Value
B	152 mm
G1	G3/8"-F
G2	G1/2"-M
H	167.6 mm
H1	129 mm
H2	20 mm
L	41 mm
LG1	13 mm
LG2	10.5 mm
Z (Stroke)	25 mm

Suspension rigid

FST-STARR 25 HD2 G1/2-AG G3/8-IG

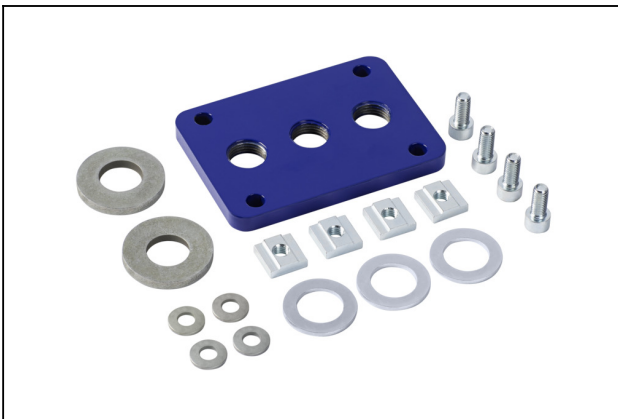
Part no.:10.01.10.05806

<https://www.schmalz.com/10.01.10.05806>

Technical Data

Attribute	Value
Spring rate	3.828 N/mm
Weight	2,300 g

Accessories



FLAN-PL 120x85x10 ST FLGR

Part no.10.01.10.05701

Flange plate

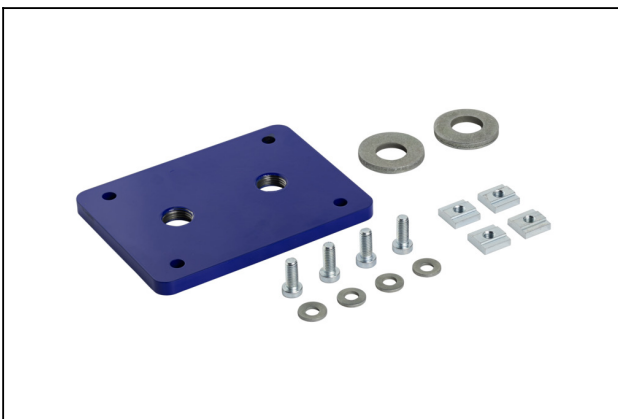
Length L: 120 mm

Width B: 85 mm

Height H: 10 mm

Material: Steel

for: Large-area vacuum gripper



FLAN-PL 160x120x10 FMHD

Part no.10.01.10.08805

Flange plate

Length L: 160 mm

Width B: 120 mm

Height H: 10 mm

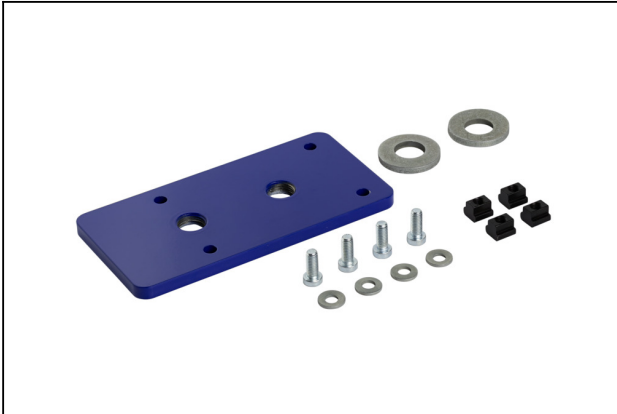
for: Large-area vac grip FMHD

Suspension rigid

FST-STARR 25 HD2 G1/2-AG G3/8-IG

Part no.:10.01.10.05806

<https://www.schmalz.com/10.01.10.05806>



FLAN-PL 200x100x10 ST SBX

Part no.10.01.11.02823

Flange plate

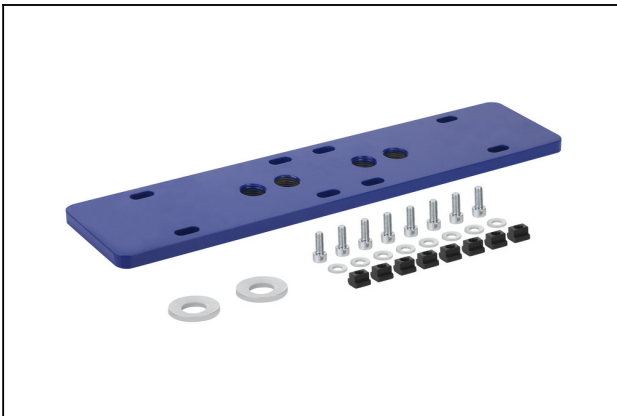
Length L: 200 mm

Width B: 100 mm

Height H: 10 mm

Material: Steel

for: Large-area vacuum gripper



FLAN-PL 260x90x10 FLGR

Part no.10.01.10.05704

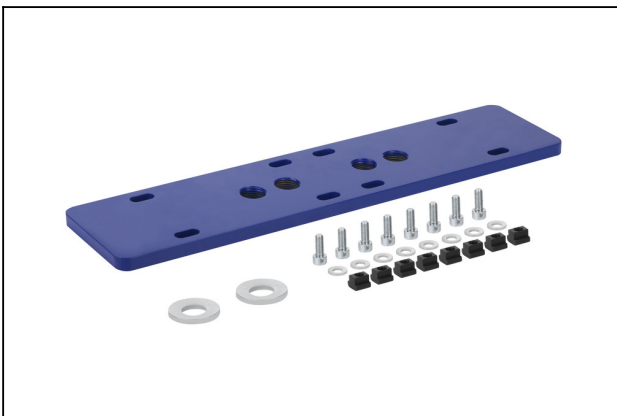
Flange plate

Length L: 260 mm

Width B: 90 mm

Height H: 10 mm

for: Large-area vacuum gripper



FLAN-PL 400x90x10 ST SBX

Part no.10.01.10.05702

Flange plate

Length L: 400 mm

Width B: 90 mm

Height H: 10 mm

Material: Steel

for: Large-area vacuum gripper

Suspension rigid

FST-STARR 25 HD2 G1/2-AG G3/8-IG

Part no.:10.01.10.05806

<https://www.schmalz.com/10.01.10.05806>



FLK G1/2-IG G1/2-AG

Part no.10.01.03.00175

Flexible suction cup mounting for adaptation to sloping surfaces

Thread G1: G1/2"-F

Thread G2: G1/2"-M

Ambient temperature: 0 ... 70 °C



FLK G1/2-IG G1/2-AG V

Part no.10.01.03.00207

Flexible suction cup mounting for adaptation to sloping surfaces

Thread G1: G1/2"-F

Thread G2: G1/2"-M

Shape: Reinforced

Ambient temperature: 0 ... 70 °C