

Clamping disc

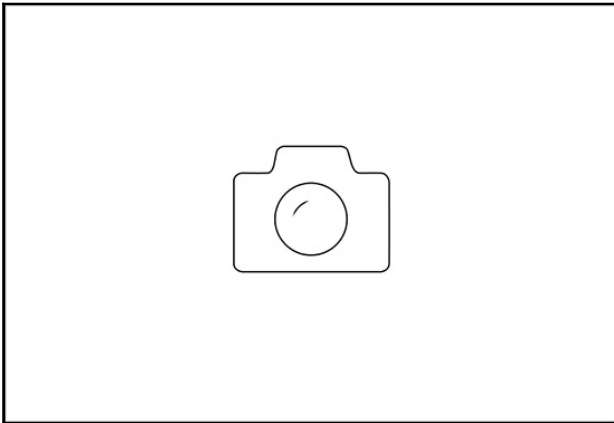
SPAN-TELL 100x27.5 EXZ 12-80 VCMC

Part no.:10.01.12.01783

<https://www.schmalz.com/10.01.12.01783>

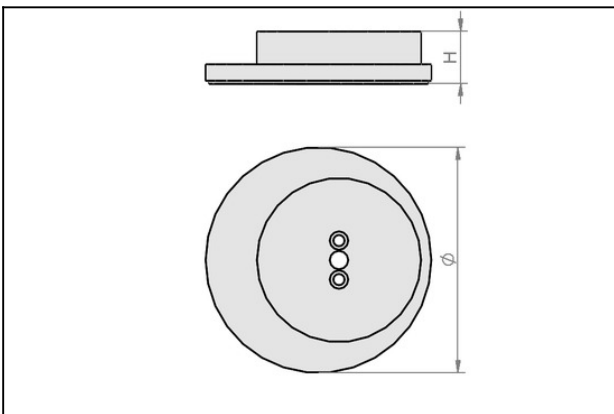
Homepage > Vacuum Clamping Technology > Clamping Equipment for Woodworking > Clamping Equipment for 1-Circuit Systems > SPAN-TELL 100x27.5 EXZ 12-80 VCMC

Clamping disc for mechanical clamp VCMC



External diameter D: 100 mm
 Height H: 27.5 mm
 Installation position: Eccentric
 Clamping range: 12.0 ... 80.0 mm
 for: Mechanical tensioner VCMC

Design Data



Attribute	Value
D	100 mm
H	27.5 mm