

Vacuum block

VCBL-S1 120x50x32.7 TV-S

Part no.:10.01.12.02388

<https://www.schmalz.com/10.01.12.02388>

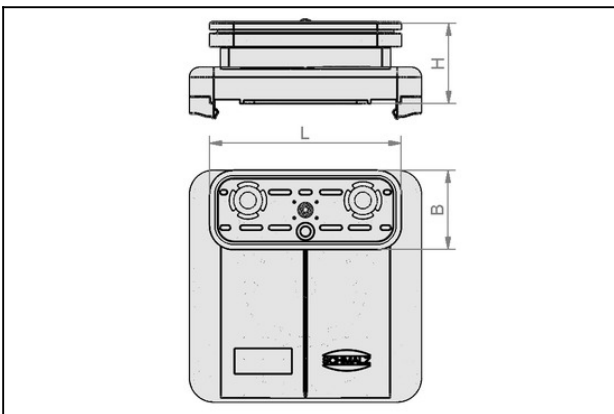
Homepage > Vacuum Clamping Technology > Clamping Equipment for Woodworking > Clamping Equipment for Systems from SCM / Morbidelli
> Vacuum Blocks VCBL-S > VCBL-S1 120x50x32.7 TV-S

Vacuum block for SCM/Morbidelli console - Type 1



Dimensions (LxW): 120 x 50 mm
Height H: 32.7 mm
with: sensing valve+hose connection

Design Data



Attribute	Value
B	50 mm
B1	120 mm
H	32.7 mm
H2	20 mm
L	120 mm
L1	120 mm
L2	72.5 mm

Technical Data

Attribute	Value
Weight	0.332 kg

Vacuum block

VCBL-S1 120x50x32.7 TV-S

Part no.:10.01.12.02388

<https://www.schmalz.com/10.01.12.02388>

SCM / Morbidelli is a registered and protected trademark. The articles listed here are products of J. Schmalz GmbH that have been designed to fit CNC machining centers from SCM / Morbidelli.

Spare Parts



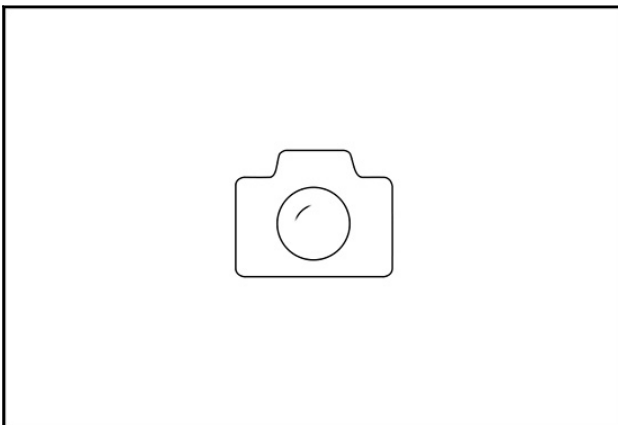
TV D9 4.3

Part no.10.01.12.02514

Touch valve for deactivation of unused suction cups or vacuum blocks

External diameter D: 9 mm

Spring stroke Z: 4.3 mm



VCDR 115.5x43x5 VCBL-S

Part no.10.01.12.03569

Sealing frame (bottom)

Length L: 115.5 mm

Width B: 43 mm

Height H: 5 mm

for: Vacuum block VCBL-S



VCSP-O 120x50x15.5

Part no.10.01.12.00012

Suction-Plate for vacuum block, (top)

Dimensions (LxW): 120 x 50 mm

Height H: 15.5 mm