

# Mono-Base

## ISMB 80x80x22

Part no.:10.01.15.00009

<https://www.schmalz.com/10.01.15.00009>

Homepage > Vacuum Clamping Technology > Clamping Equipment for Woodworking > Flexibilization of CNC Machining Centers > Innospann clamping equipment ISCUP/ISMB/ISQB > ISMB 80x80x22

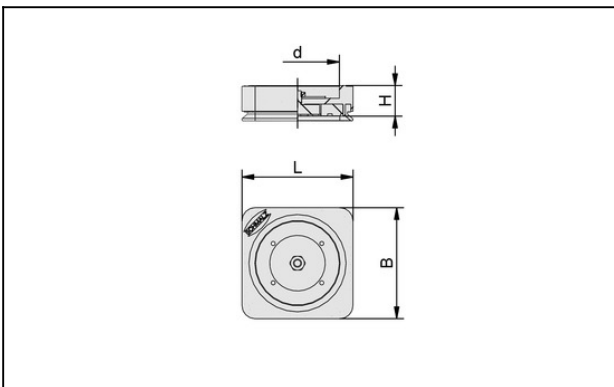
### Mono-Base for Steelplate and Adapterplate



Basic area: 80 x 80 mm mm

Height H: 22 mm

### Design Data



Attribute	Value
B	80 mm
d	60 mm
H	22 mm
L	80 mm

### Technical Data

Attribute	Value
Weight	0.187 kg

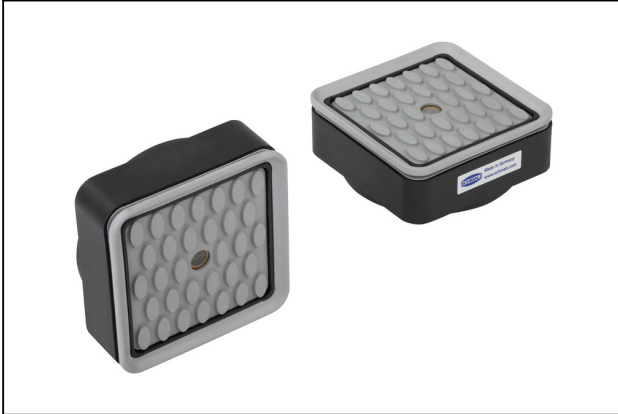
## Mono-Base ISMB 80x80x22

Part no.:10.01.15.00009

<https://www.schmalz.com/10.01.15.00009>



### Accessories



#### **IS-CUP Cup 1 80x80x30**

Part no.10.01.15.00003

Suction cup for Innospann

Dimensions (LxW): 80 x 80 mm

Height H: 30 mm



#### **IS-CUP Cup 2 80x40x30**

Part no.10.01.15.00004

Suction cup for Innospann

Dimensions (LxW): 80 x 40 mm

Height H: 30 mm



#### **IS-CUP Cup 3 80x28x30**

Part no.10.01.15.00005

Suction cup for Innospann

Dimensions (LxW): 80 x 28 mm

Height H: 30 mm