

Sealing frame

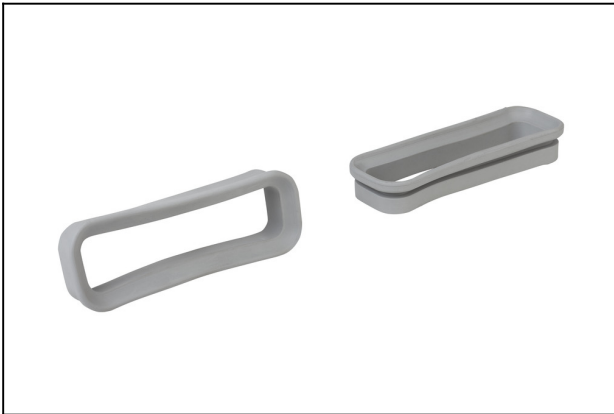
ISDR 81x31x12 Cup 3 NK-50

Part no.:10.01.15.00022

<https://www.schmalz.com/10.01.15.00022>

Homepage > Vacuum Clamping Technology > Clamping Equipment for Woodworking > Flexibilization of CNC Machining Centers > Accessories and Spare Parts > ISDR 81x31x12 Cup 3 NK-50

Sealing frame



Length L: 81 mm

Width B: 31 mm

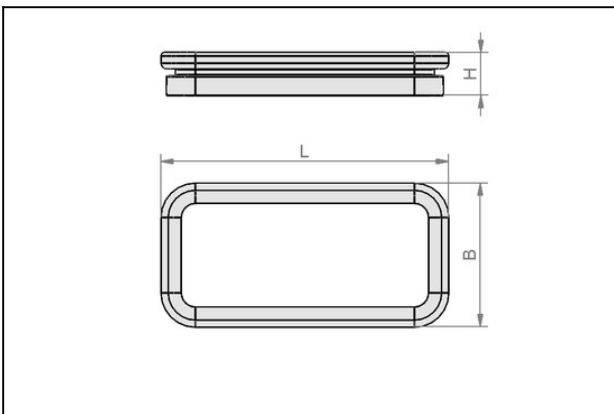
Height H: 12 mm

Type: Cup 3

Suction cup material:

Natural Rubber NK 50±5

Design Data



Attribute	Value
B	31 mm
H	12 mm
L	81 mm