

Sealing frame

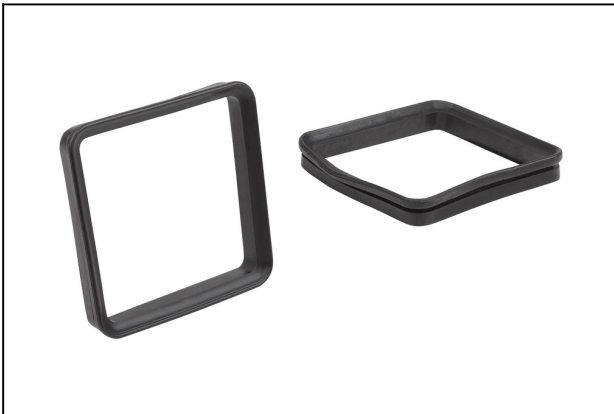
ISDR 81x81x12 Cup 1 NBR-50

Part no.:10.01.15.00158

<https://www.schmalz.com/10.01.15.00158>

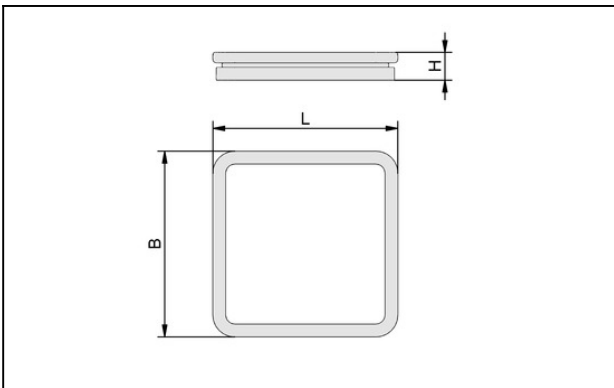
Homepage > Vacuum Clamping Technology > Clamping Equipment for Metal and Plastic Processing > ISDR 81x81x12 Cup 1 NBR-50

Sealing frame



Length L: 81 mm
Width B: 81 mm
Height H: 12 mm
Type: Cup 1
Suction cup material:
Perbunan NBR 50±5ShA

Design Data



Attribute	Value
-----------	-------

B	81 mm
---	-------

H	12 mm
---	-------

L	81 mm
---	-------