

Cup

ISCUP Cup 3 80x28x16

Part no.:10.01.15.00211

<https://www.schmalz.com/10.01.15.00211>

Homepage > Vacuum Clamping Technology > Clamping Equipment for Woodworking > Flexibilization of CNC Machining Centers > Innospann clamping equipment ISCUP/ISMB/ISQB > ISCUP Cup 3 80x28x16

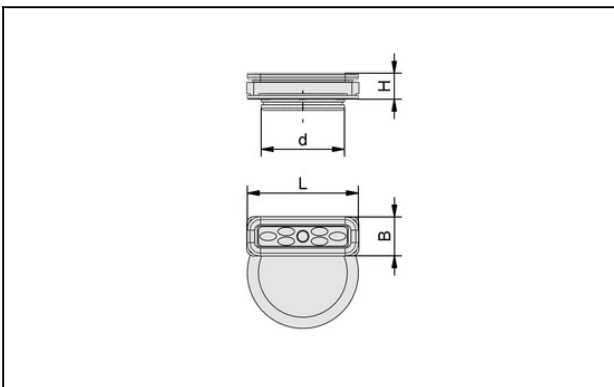
Suction cup for Innospann



Dimensions (LxW): 80 x 28 mm

Height H: 16 mm

Design Data



Attribute	Value
B	28 mm
d	60 mm
H	16 mm
L	80 mm

Technical Data

Attribute	Value
Weight	0.058 kg

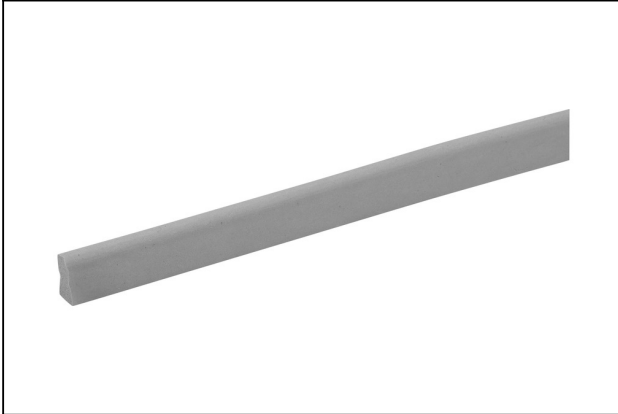
Cup

ISCUP Cup 3 80x28x16

Part no.:10.01.15.00211

<https://www.schmalz.com/10.01.15.00211>

Spare Parts



DI-PROF 4x10 MOS EPDM HR

Part no.10.01.15.00062

Sealing section for construction of specific gripper solutions

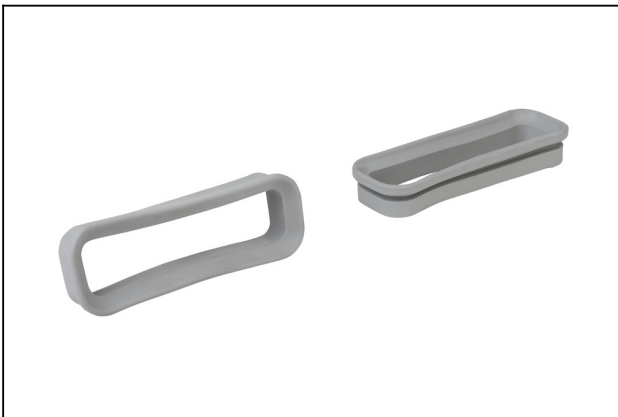
Width B: 4 mm

Height H: 10 mm

Material-Type: Foam rubber

Sealing material: EPDM

Shape: half-round



ISDR 81x31x12 Cup 3 NK-50

Part no.10.01.15.00022

Sealing frame

Length L: 81 mm

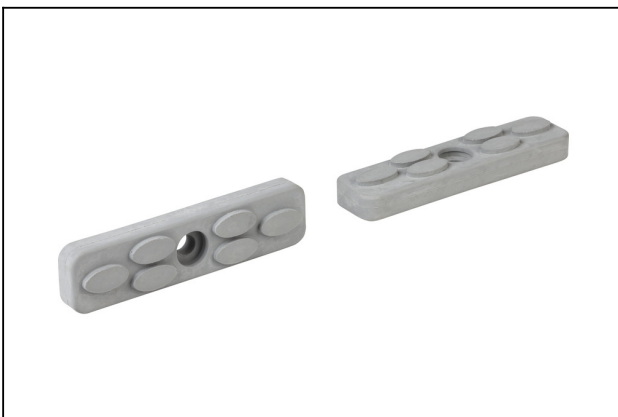
Width B: 31 mm

Height H: 12 mm

Type: Cup 3

Suction cup material:

Natural Rubber NK 50±5



ISRPL 66x14x8.5

Part no.10.01.15.00019

Friction plate

Length L: 66 mm

Width B: 14 mm

Height H: 8.5 mm

Type: Cup 3