

Magnetic Grippers

SGM-S 30 G1/8-IG NPN

Part no.:10.01.17.00216

<https://www.schmalz.com/10.01.17.00216>

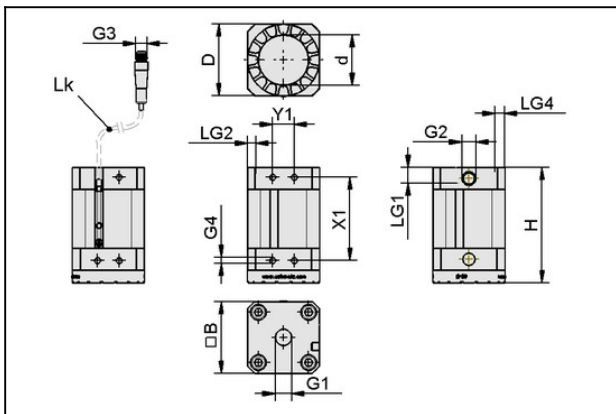
Homepage > Vacuum Technology for Automation > Vacuum Components > Special Grippers > Magnetic gripper > Magnetic Grippers SGM > SGM-S 30 G1/8-IG NPN

Magnetic gripper for handling metal sheets with holes



Size: 30
 Socket: G1/8"-F
 Holding force max friction ring: 35 N
 Pressure range (operating pressure):
 3.5 ... 6.0 bar
 Additional function: Sensor NPN
 Interface Connection 1:
 Male connect M12, 4 pol

Design Data



Attribute	Value
B	30 mm
D	29.5 mm
G1	G1/8"-F
G2	G1/8"-F
G3	M12x1-M
G4	M4-F
H	61.4 mm
H1	70.2 mm
LG1	7 mm
LG2	6 mm
LG4	5 mm
Lk	300 mm
X1	46 mm

Magnetic Grippers

SGM-S 30 G1/8-IG NPN

Part no.:10.01.17.00216

<https://www.schmalz.com/10.01.17.00216>



Attribute	Value
Y1	12 mm

Technical Data

Attribute	Value
Holding force max. friction ring	35 N
Remaining force	0.3 N
Pressure range (operating pressure)	3.5 ... 6.0 bar
Installation position	Any
Control valve	Bistable
Operating temperature	5 ... 70 °C
Weight	145 g

Note: Holding force: The value given is a statistical value with no safety factor; based on a plate with a thickness of 2 mm. For system configurations with magnetic grippers SGM, a safety factor of $S = 3$ must be applied

Spare Parts



NAEH-SCHA SMAGN-NPN S050

Part no.10.01.17.00215

Proximity switch

Type: Magn. cylind. sensor-NPN

Voltage: 12-30V DC

Electrical connection:

Male connect M12, 4 pol

Magnetic Grippers

SGM-S 30 G1/8-IG NPN

Part no.:10.01.17.00216

<https://www.schmalz.com/10.01.17.00216>



REIB-RING SGM 30 PU-55

Part no.10.01.17.00136

Friction ring

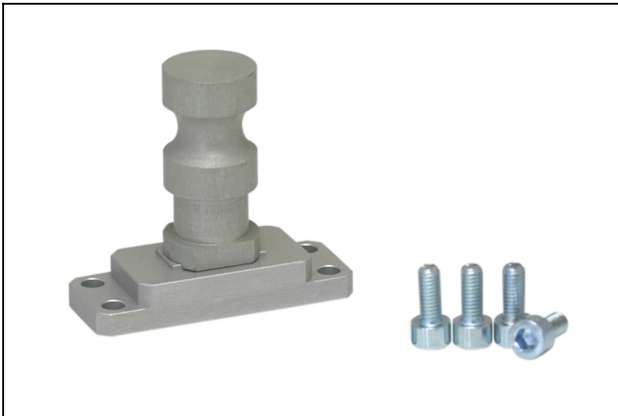
for: Magnetic gripper

Size: 30

External diameter D: 29.5 mm

Internal diameter d: 19 mm

Accessories



HTS-A2 SGM 30/40

Part no.10.01.17.00169

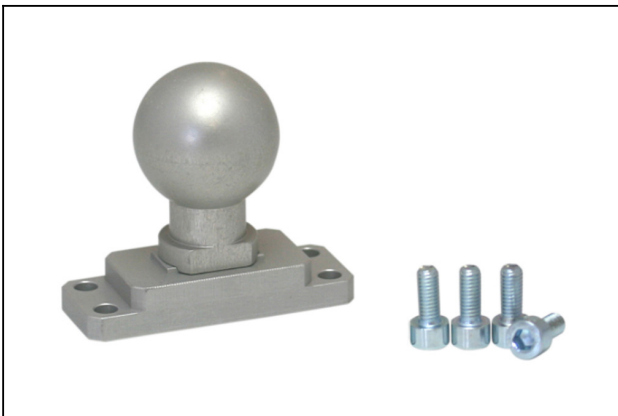
Holder system

Cross-beam connection:

Bolt with slot \varnothing 19mm

for: Magnetic gripper

Size: 30/40



HTS-A3 SGM 30/40

Part no.10.01.17.00170

Holder system

Cross-beam connection:

Ball head 28.5 mm

for: Magnetic gripper

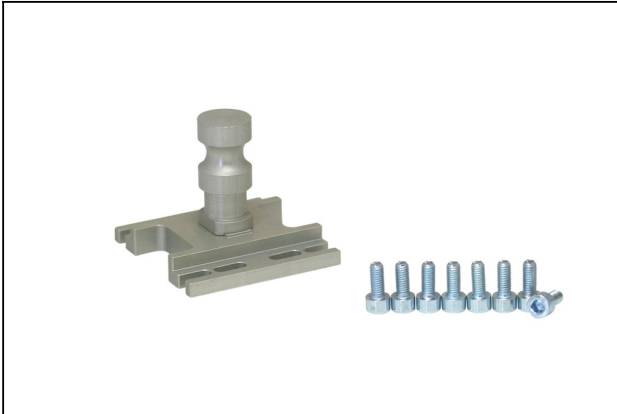
Size: 30/40

Magnetic Grippers

SGM-S 30 G1/8-IG NPN

Part no.:10.01.17.00216

<https://www.schmalz.com/10.01.17.00216>



HTS-A2 D SGM 30/40

Part no.10.01.17.00175

Holder system

Cross-beam connection:

Bolt with slot \varnothing 19mm

Shape: Double block

for: Magnetic gripper

Size: 30/40



HTS-A3 D SGM 30/40

Part no.10.01.17.00176

Holder system

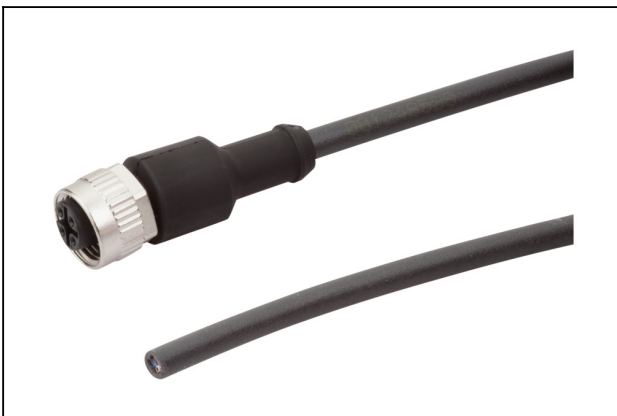
Cross-beam connection:

Ball head 28.5 mm

Shape: Double block

for: Magnetic gripper

Size: 30/40



ASK B-M12-5 5000 K-5P

Part no.21.04.05.00080

Connection cable

Interface Connection 1:

Fem connect M12, 5 pol

Cable length: 5000 mm

Interface Connection 2: Cable 5

Material: PUR-Cable

Shape: Straight

Magnetic Grippers

SGM-S 30 G1/8-IG NPN

Part no.:10.01.17.00216

<https://www.schmalz.com/10.01.17.00216>



STV-GE G1/8-AG 6

Part no.10.08.02.00204

Push-in Fitting, straight

Thread G1: G1/8"-M

External hose diameter: 6 mm

Material: Brass

Surface: nickel plated

Ambient temperature: -20 ... 80 °C



STV-W G1/8-AG 6

Part no.10.08.02.00158

Push-in Fitting, swivelling elbow

Thread G1: G1/8"-M

External hose diameter: 6 mm

Material: Brass, nickel-plated

Ambient temperature: -20 ... 80 °C



VSL 6-4 PU

Part no.10.07.09.00002

Hose for vacuum and compressed-air systems

External diameter D: 6 mm

Internal diameter d: 4 mm

Length (max): 500 m

Material: PU

Installation radius (min): 35 mm

Pressure range (operating pressure):

-0.95 ... 10.00 bar

Ambient temperature: -20 ... 90 °C