

## Bell suction cup (round)

### SAXM 20 ED-85 G3/8-IG

Part no.:10.01.19.00097

<https://www.schmalz.com/10.01.19.00097>

Homepage > Vacuum Technology for Automation > Vacuum Components > Vacuum Suction Cups > Suction Cups for Handling Sheet Metal >

Bell-Shaped Suction Cups SAXM > SAXM 20 ED-85 G3/8-IG

## Bell suction cup (round) for best adaptation to strongly curved surfaces



Size: 20

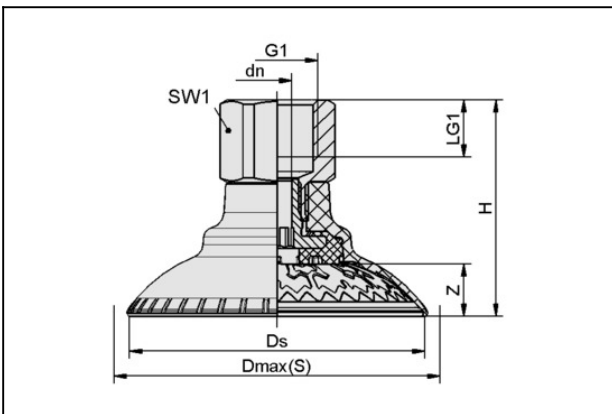
Suction cup material: Elastodur

Material hardness: 85 °Sh

Vacuum connection: G3/8"-F

Nipple material: Aluminium

## Design Data



Attribute	Value
dn	5.1 mm
Dmax(S)	26 mm
Ds	21.8 mm
G1	G3/8"-F
H	33.7 mm
LG1	12 mm
SW1	22 mm
Z (Stroke)	3 mm

## Technical Data

## Bell suction cup (round)

### SAXM 20 ED-85 G3/8-IG

Part no.:10.01.19.00097

<https://www.schmalz.com/10.01.19.00097>



Attribute	Value
Suction force (-600mbar)	20 N
Lateral force	15 N
Lateral force (oily surface)	20 N
Volume	1.55 cm <sup>3</sup>
Curve radius (min) (convex)	20 mm
Hose diameter (empf.) d	5 mm
Size	20
Connection	G3/8"-F
Number of folds	0
Suction cup material	Elastodur
Material hardness [Shore A]	85 Shore A
Weight	18.6 g
Product family	SAXM

Note: Suction force: The specified suction forces are theoretical values at a vacuum of -0.6 bar and with a smooth, dry workpiece surface - they do not include a safety factor Lateral force: The specified lateral forces are values measured at a vacuum of -0.6 bar with a dry or oily, smooth, flat workpiece surface. Depending on the workpiece surface and its quality, the actual values may deviate from these values Hose diameter: The recommended hose diameter refers to a hose length of approx. 2 m

---

## Spare Parts

## Bell suction cup (round)

SAXM 20 ED-85 G3/8-IG

Part no.:10.01.19.00097

<https://www.schmalz.com/10.01.19.00097>



### SC-A 045 G3/8-IG L

Part no.10.01.06.02737

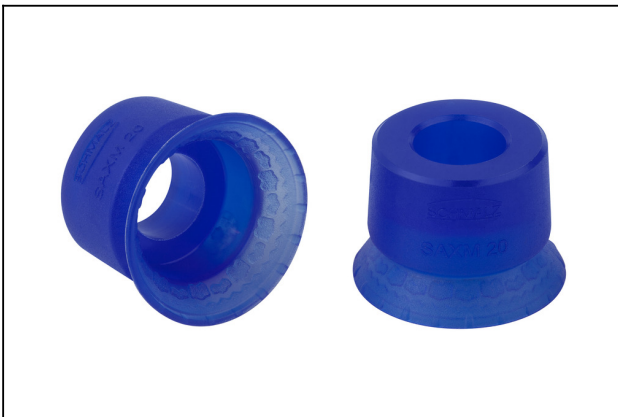
Schmalz-Connector upper part

Connection geometry: 045

Thread G1: G3/8"-F

Fitting length: 17.2 mm

Construction: Self Locking



### SAXM 20 ED-85 SC045

Part no.10.01.19.00003

High-Speed bell shaped suction cup (round) very dynamic handling of smooth and oily workpieces

Size: 20

Suction cup material: Elastodur

Material hardness: 85 °Sh



### SC-S 045 FDC-L

Part no.10.01.06.02803

Schmalz-Connector lower part

Size: 045

Construction:

Frict elem with Self lock