

Suction plate (round)

SPL-HT 140 ST G3/8-IG

Part no.:10.01.23.00008

<https://www.schmalz.com/10.01.23.00008>

Homepage > Vacuum Technology for Automation > Vacuum Components > Vacuum Suction Cups > Suction Cups for High-Temperature

Applications > Suction Plates for High-Temperature SPL-HT > SPL-HT 140 ST G3/8-IG

Suction plate for high-temperature applications



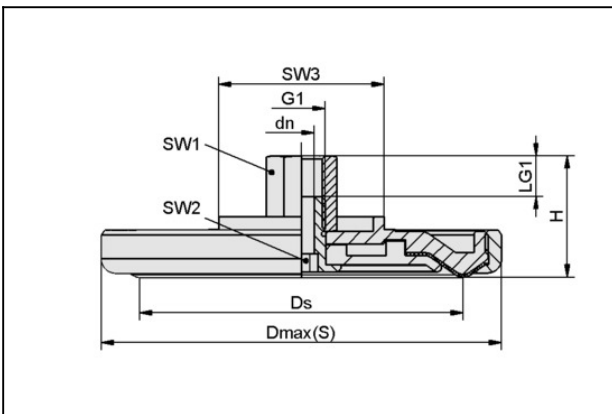
Size: 140

Suction cup material: Silicate fabric

Vacuum connection: G3/8"-F

Workpiece temperature max.: 600 °C

Design Data



Attribute	Value
dn	8 mm
Dmax(S)	159.5 mm
Ds	138 mm
G1	G3/8"-F
H	39 mm
LG1	12 mm
SW1	22 mm
SW2	8 mm
SW3	95 mm

Technical Data

Suction plate (round)

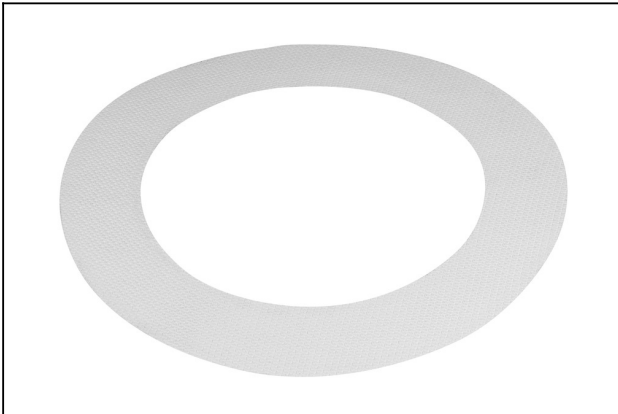
SPL-HT 140 ST G3/8-IG

Part no.:10.01.23.00008

<https://www.schmalz.com/10.01.23.00008>

Attribute	Value
Suction force (-600mbar)	740 N
Volume	50 cm ³
Curve radius (min) (convex)	1,700 mm
Evacuation rate for pu = -0,6 bar	47 l/min
Hose diameter (empf.) d	9 mm
Size	140
Working temperature max.	600 °C
Suction cup material	Silicate fabric
Weight	1,390 g
Product family	SPL-HT

Spare Parts



DR-SPL-HT 140 ST

Part no.10.01.23.00018

Rubber seal for SPL suction cup

Size: 140

Suction cup material: Silicate fabric