

Basic ejector

SBP 07 G01 SDA

Part no.:10.02.01.00600

<https://www.schmalz.com/10.02.01.00600>

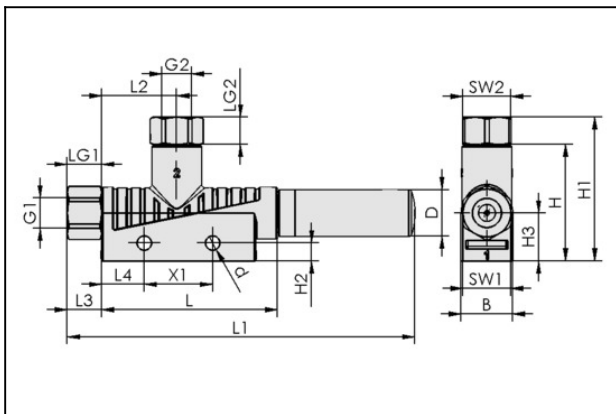
Homepage > Vacuum Technology for Automation > Vacuum Components > Vacuum Generators > Basic Ejectors > Basic Ejectors SBP > SBP 07 G01 SDA

Basic ejector for universal use



Nozzle size: 0,7 mm
 with: Axial silencer
 Degree of evacuation: 85 %
 Connection: M5(1)-M5(2)
 Pressure optimal: 4.5 bar
 Suction rate (max): 16 l/min
 Air consumption (during evac.):
 22 l/min

Design Data



Attribute	Value
B	10 mm
d	4.2 mm
D	9 mm
G1	M5-F
G2	M5-F
H	26 mm
H1	31 mm
H2	5.2 mm
H3	12 mm
L	45 mm
L1	74 mm
L2	18 mm
L3	5 mm

Basic ejector

SBP 07 G01 SDA

Part no.:10.02.01.00600

<https://www.schmalz.com/10.02.01.00600>



Attribute	Value
L4	12.5 mm
LG1	5 mm
LG2	5 mm
SW1	8 mm
SW2	8 mm
X1	20 mm

Technical Data

Attribute	Value
Nozzle diameter	0.7 mm
Degree of evacuation	85 %
Suction rate (max.)	1 m ³ /h
Suction rate (max.)	16 l/min
Air consumption suction	1.3 m ³ /h
Air consumption suction	22 l/min
Sound level free	65 dB(A)
Sound level suction	59 dB(A)
Pressure range (operating pressure)	3.0 ... 6.0 bar
Pressure optimal	4.5 bar
Recomm. internal hose diameter compressed air	2 mm
Recomm. internal hose diameter vacuum	2 mm
Operating temperature	0 ... 60 °C
Pressure range (operating pressure)	43.5...87.0
Suction rate (max.)	0.565 cfm
Air consumption suction	0.776 cfm

Basic ejector

SBP 07 G01 SDA

Part no.:10.02.01.00600

<https://www.schmalz.com/10.02.01.00600>



Attribute	Value
Weight	7.5 g

Note: Air consumption: At optimal operating pressure Hose diameter: For max. length 2 m

Spare Parts



SD M5-AG 9x24

Part no.10.02.01.00539

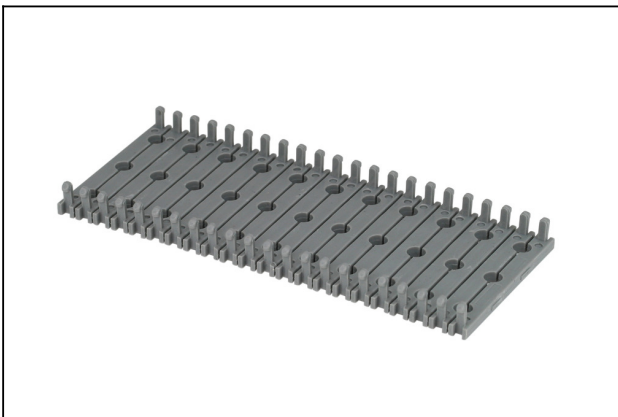
Silencer for vacuum generators

Thread G1: M5-M

External diameter D: 9 mm

Length L: 24 mm

Accessories



BEF-PL 110x44.5x3 SBP

Part no.10.02.01.00511

Mounting plate

Length L: 110 mm

Width B: 44.5 mm

Height H: 3 mm

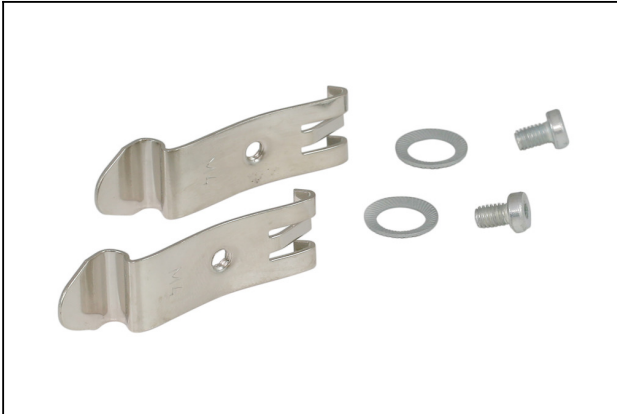
for: Basic ejectors SBP

Basic ejector

SBP 07 G01 SDA

Part no.:10.02.01.00600

<https://www.schmalz.com/10.02.01.00600>



SET SBP M4-IG

Part no.10.02.01.00769

Mounting set

for: Basic ejectors SBP

Type: M4-IG



VFI CN6/4 50

Part no.10.07.01.00241

Vacuum filter with replaceable filter cartridge

Connection: Hose 6/4 with Cap nut

Filter pore size: 50 μ m



VFI 4/2 50

Part no.10.07.01.00329

Vacuum filter with replaceable filter cartridge

Connection: Hose 4/2

Filter pore size: 50 μ m