

Compact ejector

SMP 15 NO AS

Part no.:10.02.02.00561

<https://www.schmalz.com/10.02.02.00561>



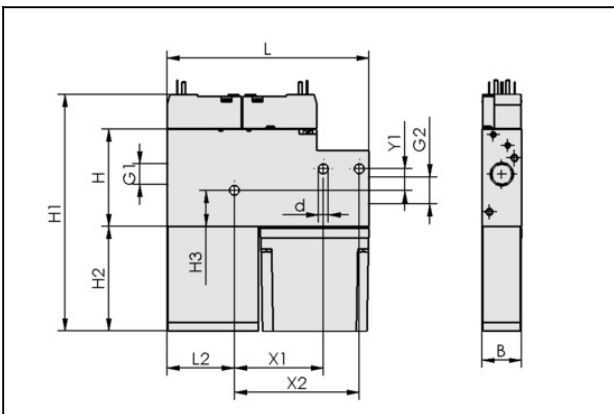
Homepage > Vacuum Technology for Automation > Vacuum Components > Vacuum Generators > Compact ejectors > Compact Ejectors SCP / SMP > SMP 15 NO AS

Compact ejector "MEGA PUMP" with power blow-off function



Nozzle size: 1,5 mm
Suction rate (max): 65 l/min
Air consumption (during evac.):
117 l/min
Control: Normally open
Design: With blow-off system

Design Data



Attribute	Value
-----------	-------

B	22 mm
d	5.5 mm
G1	G1/4"-F
G2	G3/8"-F
H	54 mm
H1	132.5 mm
H2	58.5 mm
H3	20.1 mm
L	112.5 mm
L2	37.5 mm
X1	49.5 mm
X2	69.5 mm
Y1	12 mm

Compact ejector

SMP 15 NO AS

Part no.:10.02.02.00561

<https://www.schmalz.com/10.02.02.00561>



Technical Data

Attribute	Value
Nozzle diameter	1.5 mm
Degree of evacuation	85 %
Suction rate (max.)	65 l/min
Control valve	Normally open
Suction rate (max.)	2.295 cfm
Product family	SMP

Note: The supply voltage for vacuum switches and solenoid valves is 24V DC Air consumption: At optimal operating pressure Hose diameter: For max. length 2 m

Spare Parts



FILT-EINS 14x49 PE-POR SCP-SMP

Part no.10.02.02.00654

Filter insert (round)

External diameter D: 14 mm

Length L: 49 mm

Filter material: Polyethylene

for: Compact ejectors

Compact ejector

SMP 15 NO AS

Part no.:10.02.02.00561

<https://www.schmalz.com/10.02.02.00561>



SD 50.5x21x53.5 SMP15/20

Part no.10.02.02.00651

Silencer for vacuum generators

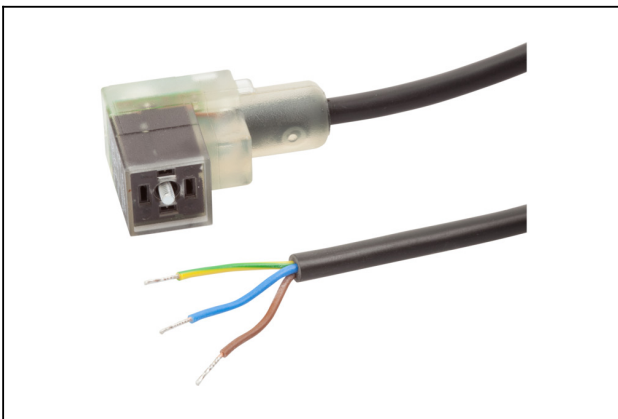
Length L: 50.5 mm

Width B: 21 mm

Height H: 53.5 mm

for: Compact ejectors SMP

Accessories



ASK B-Form-C 5000 K-3P

Part no.21.04.06.00084

Connection cable

Interface Connection 1:

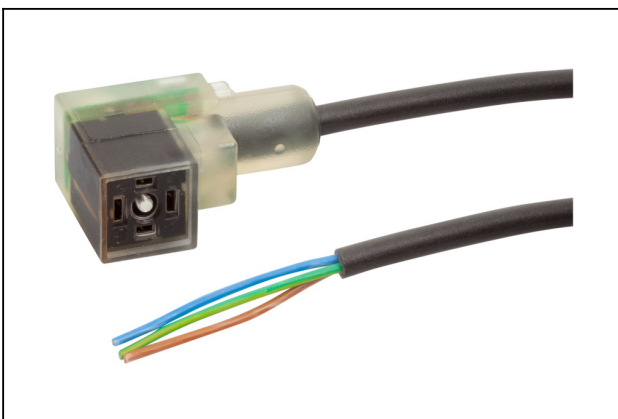
Fem connect Form C

Cable length: 5000 mm

Interface Connection 2: Cable 3

Material: PVC-Cable

Shape: LED display



ASK 10000 K-3P

Part no.21.04.06.00118

Connection cable

Cable length: 10000 mm

Interface Connection 2: Cable 3

Material: PUR-Cable

Shape: LED display

Compact ejector

SMP 15 NO AS

Part no.:10.02.02.00561

<https://www.schmalz.com/10.02.02.00561>



ASS B-C SK

Part no.21.04.06.00085

Connection plug

Interface Connection 1:

Socket DIN 175301-803A

Electrical connection: Screw contact