

Vacuum pump

EVE-TR-T 4 AC F

Part no.:10.03.01.00197

<https://www.schmalz.com/10.03.01.00197>

Homepage > Vacuum Technology for Automation > Vacuum Components > Vacuum Generators > Vacuum Pumps > Dry-Running Vacuum

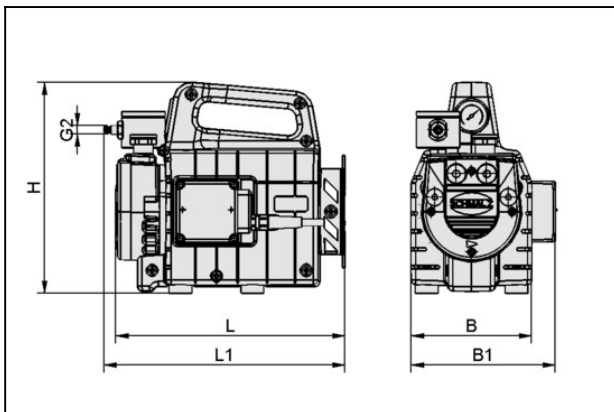
Pumps EVE-TR > EVE-TR-T 4 AC F

Oil-free pump with constant suction rate, robust, requires little maintenance



Current type: 1-phase AC
 Voltage (50 Hz): 230V - AC
 Suction rate (50 Hz): 4 m³/h
 Suction rate (60 Hz): 4.7 m³/h
 Noise level (50 Hz): 59 dB
 Vacuum (max): -850 mbar
 Rated power (50 Hz): 0.18 kW
 Rated power (60 Hz): 0.22 kW
 with: Filter
 Weight: 8.5 kg

Design Data



Attribute	Value
B	134 mm
B1	160.5 mm
G2	G1/4"-M
H	235 mm
L	255 mm
L1	268.5 mm

Technical Data

Attribute	Value
Max. vacuum	-850 mbar
Max. vacuum	-25.1 inHg

Vacuum pump

EVE-TR-T 4 AC F

Part no.:10.03.01.00197

<https://www.schmalz.com/10.03.01.00197>



Attribute	Value
Suction rate (50 Hz)	4 m³/h
Suction rate (60 Hz)	4.7 m³/h
Voltage at 50Hz	230V - AC
Rated power 50 Hz	0.18 kW
Rated power 60 Hz	0.22 kW
Current type	AC
Sound level at 50 Hz	59 dB(A)
Weight	8.5 kg
Protection type IP	IP 54

Noise level according to DIN EN ISO 3744 (KpA = 3 dB(A)), interval of 1 m, at medium load, both connection sides piped

Spare Parts



FILT-EINS 15 27x23 A2 VF-1/4-Draht

Part no.10.07.01.00013

Filter insert (round)

Filter pore size: 15 µm

External diameter D: 27 mm

Length L: 23 mm

Filter material: Stainless steel

for: Filter VF

Size: 1/4-Draht

Vacuum pump

EVE-TR-T 4 AC F

Part no.:10.03.01.00197

<https://www.schmalz.com/10.03.01.00197>



VST EVE-TR-4

Part no.10.03.01.00108

Set of parts subject to wear pump
for: Pump EVE-TR

Size: 4

Accessories



VBV -850...0 G3/8-AG EVE 4-8

Part no.10.03.01.00107

Vacuum valve for limiting the maximum vacuum
pressure

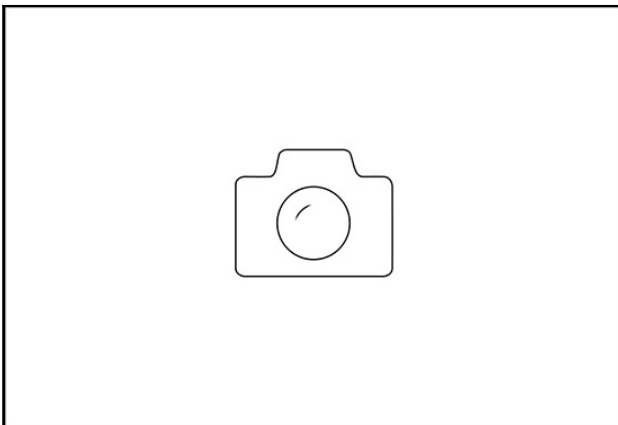
Vacuum range: -850 ... 0 mbar

Thread G1: G3/8"-M

Length L: 45 mm

for: Pump EVE

Size: 4-8



DRUC-KUPP D27 G1/4-AG NW7.2

Part no.10.08.01.00020

Pressure coupling

External diameter D: 27 mm

Thread G1: G1/4"-M

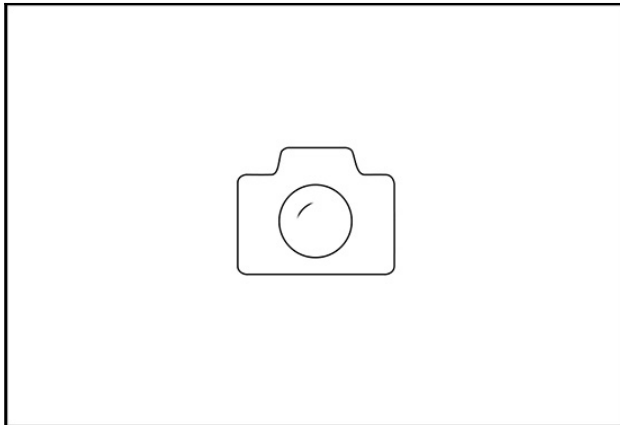
Nominal size: 7.2 mm

Vacuum pump

EVE-TR-T 4 AC F

Part no.:10.03.01.00197

<https://www.schmalz.com/10.03.01.00197>



DRUC-KUPP D27 G1/4-IG NW7.2

Part no.10.08.01.00018

Pressure coupling

External diameter D: 27 mm

Thread G1: G1/4"-F

Nominal size: 7.2 mm