

Vacuum hose

VSL 33-25 PU-DS-AS

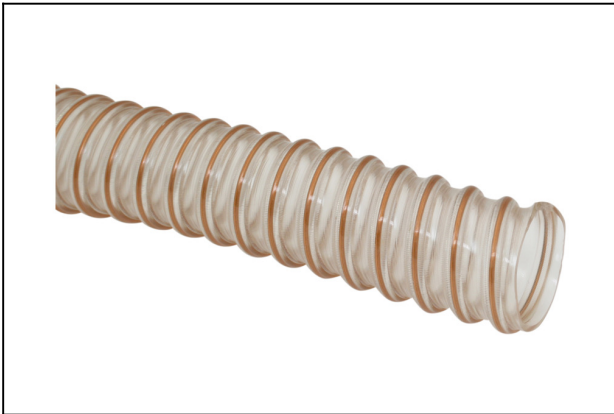
Part no.:10.07.09.00051

<https://www.schmalz.com/10.07.09.00051>

Homepage > Vacuum Technology for Automation > Vacuum Components > Filters and Connections > Hoses and Connectors > Vacuum /

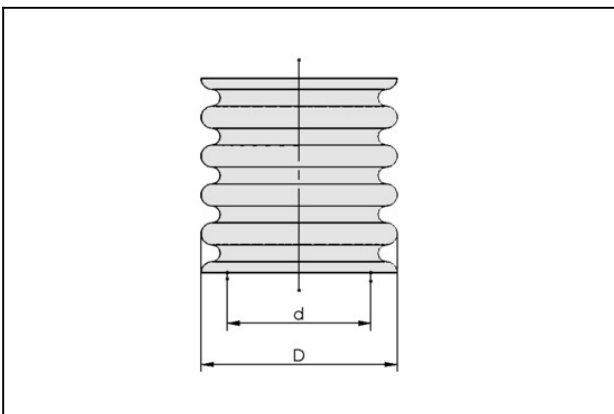
Compressed Air Hoses VSL > VSL 33-25 PU-DS-AS

Hose for vacuum and compressed-air systems



External diameter D: 33 mm
 Internal diameter d: 25 mm
 Length (max): 20 m
 Material: PU, wire spiral, antistat
 Installation radius (min): 20 mm
 Colour: Transparent
 Pressure range (operating pressure):
 -1.00 ... 3.86 bar
 Ambient temperature: -40 ... 90 °C

Design Data



Attribute	Value
d	25 mm
D	33 mm

Technical Data

Attribute	Value
Hose type	33-25
Pressure range (operating pressure)	-0,95 ... 4,00 bar

Vacuum hose

VSL 33-25 PU-DS-AS

Part no.:10.07.09.00051

<https://www.schmalz.com/10.07.09.00051>

Attribute	Value
Operating temperature	-40 ... 90 °C
Bending radius min.	20 mm
Length max.	20 m
Weight/Meter	280 g/m
Weight/Meter	0.28 kg/m
Material hose	PU, wire spiral, antistatic

Note: Operating pressure: In reference to media and ambient temperature of + 20°C Bending radius: Referred to the inner side of the hose bend in a static state Max. length: Please indicate the tube length when placing the order!

Accessories



SSD 28-32 ST-VZ

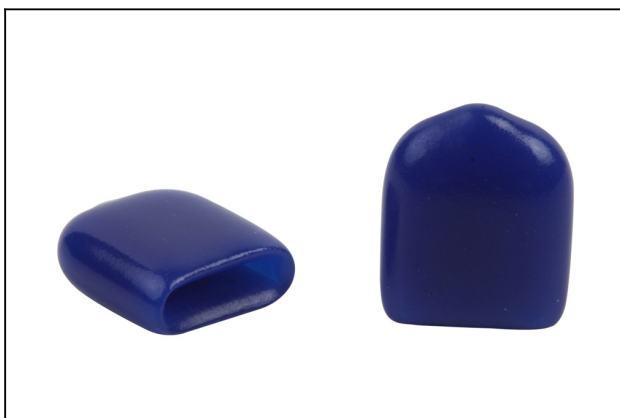
Part no.10.07.10.00087

Hose clamp for securing wire-reinforced hoses

Clamping range: 28.0 ... 32.0 mm

Material: Steel

Surface: galvanised



KAPP 9 Band

Part no.20.12.01.00036

Cap (rectangular)

Length L: 9 mm

Size: Band

Vacuum hose

VSL 33-25 PU-DS-AS

Part no.:10.07.09.00051

<https://www.schmalz.com/10.07.09.00051>



ST G1-AG 25 MS-V

Part no.10.08.03.00167

Hose sleeve

Thread G1: G1"-M

Internal hose diameter: 25 mm

Material: Brass

Surface: nickel plated



ST G3/4-AG 25 MS-V

Part no.10.08.03.00166

Hose sleeve

Thread G1: G3/4"-M

Internal hose diameter: 25 mm

Material: Brass

Surface: nickel plated