

## Plug union, T STV-T G1/4-AG 12

Part no.:10.09.02.00045

<https://www.schmalz.com/10.09.02.00045>

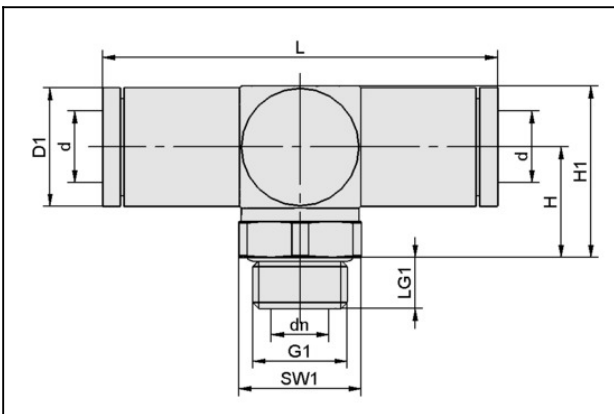
Homepage > Vacuum Technology for Automation > Vacuum Components > Filters and Connections > Hoses and Connectors > Screw in Push Fittings > STV-T G1/4-AG 12

### Push-in Fitting, T



Thread G1: G1/4"-M  
 External hose diameter: 12 mm  
 Length L: 69 mm  
 Material: Brass  
 Surface: nickel plated

### Design Data



Attribute	Value
d	12 mm
G1	G1/4"-M
dn	8.4 mm
D1	19.6 mm
H	16.8 mm
H1	26.6 mm
L	69 mm
LG1	7.6 mm
SW1	17 mm

### Technical Data

# Plug union, T

## STV-T G1/4-AG 12

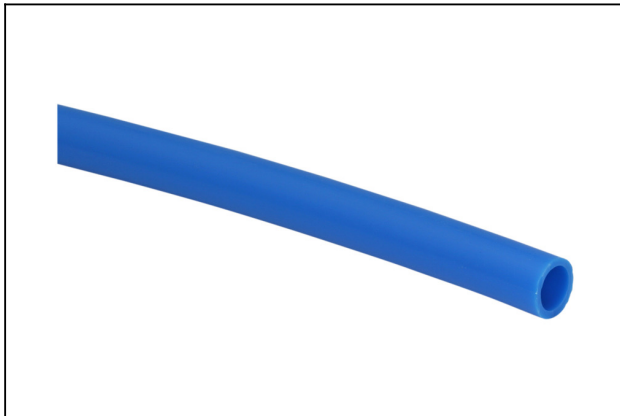
Part no.:10.09.02.00045

<https://www.schmalz.com/10.09.02.00045>



Attribute	Value
Hose type	Hose D = 12 d = 9
Hose type	12-9
Material	Brass
Pressure range (operating pressure)	bar
Operating temperature	°C
Weight	113.4 g

### Accessories



#### VSL 12-9 PE

Part no.10.07.09.00050

Hose for vacuum and compressed-air systems

External diameter D: 12 mm

Internal diameter d: 9 mm

Length (max): 100 m

Material: PE

Installation radius (min): 70 mm

Pressure range (operating pressure):

-0.95 ... 10.00 bar

Ambient temperature: -20 ... 70 °C



#### VSL 12-9 PU

Part no.10.07.09.00037

Hose for vacuum and compressed-air systems

External diameter D: 12 mm

Internal diameter d: 9 mm

Length (max): 50 m

Material: PU

Installation radius (min): 70 mm

Pressure range (operating pressure):

-0.95 ... 10.00 bar

Ambient temperature: -20 ... 90 °C