

Work stand

PVS-1-SPL-250 SEG-4

Part no.:13.01.01.10100

<https://www.schmalz.com/13.01.01.10100>

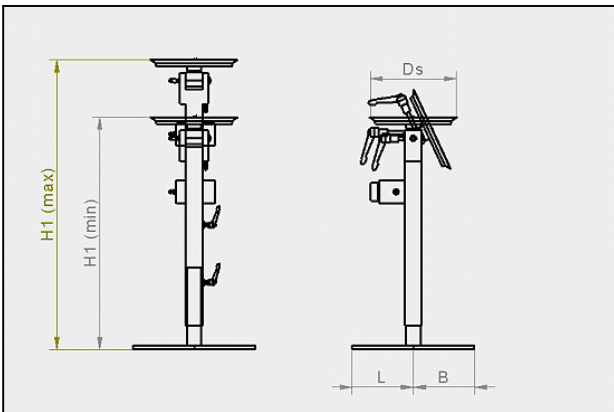
Homepage > Vacuum Lifters and Crane Systems > Workshop Equipment > Workstands > Vacuum workstand PVS > PVS-1-SPL-250 SEG-4

PVS - Vacuum work stand for clamping workpieces



Number of cups: 1
 Suct. cups: Suction plate SPL
 Diameter Ds: 250 mm
 Maximum load: 90 kg
 with: Basic ejector SEG
 Suction rate: 4 m³/h
 Working height H1 (max): 1100 mm
 Working height H1 (min): 750 mm

Design Data



Attribute	Value
L	300 mm
B	300 mm
Working height H1 (min)	750 mm
Working height H1 (max)	1,100 mm
Ds	250 mm

Technical Data

Attribute	Value
Number of cups	1
Suction cup typ	SPL
Design	Basic ejector SEG

Work stand

PVS-1-SPL-250 SEG-4

Part no.:13.01.01.10100

<https://www.schmalz.com/13.01.01.10100>

Attribute	Value
Air consumption	102 l/min
Maximum load	90 kg
Weight	34 kg

Accessories



DM 0.5...10 KUPP

Part no.13.02.01.10171

Pressure-reduction valve

Work area: 0.5 ... 10.0 bar

Connection: Plug-in nipp/coupler
with: Manometer

Flow rate (max): 40 m³/h

Secondary venting: 25 bar
for: Work benches/stands