

Vacuum/pressure switch

VSi P10 D M8-4

Part no.:10.06.02.00578

<https://www.schmalz.com/10.06.02.00578>

Homepage > Vacuum Technology for Automation > Vacuum Components > Switches and System Monitoring > Electronic Vacuum and Pressure Switches > Vacuum and Pressure Switches VSi > VSi P10 D M8-4

Vacuum and pressure switch with two digital output signals and IO-Link function



Measuring range: 0...10 bar

Type: with display

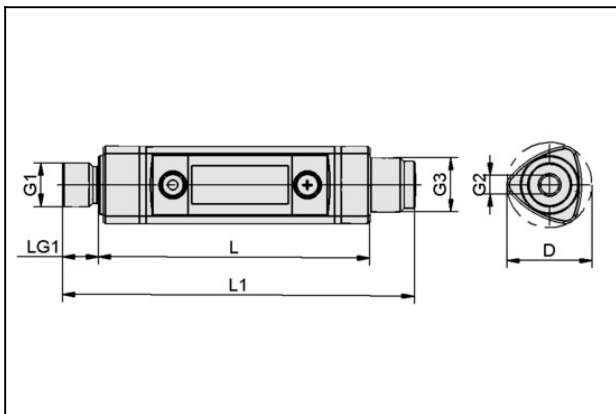
Electrical connection:

Male connect M8, 4 pole

Indication: 2xLED

Protection: IP 65

Design Data



| Attribute | Value |
|-----------|---------|
| D | 19.6 mm |
| G1 | G1/8"-M |
| G2 | M5-F |
| G3 | M8x1-M |
| L | 60.5 mm |
| L1 | 77.5 mm |
| LG1 | 8 mm |

Technical Data

| Attribute | Value |
|-----------------|---|
| Measured medium | Non-aggressive gases; dry, oil-free air |

Vacuum/pressure switch

VSi P10 D M8-4

Part no.:10.06.02.00578

<https://www.schmalz.com/10.06.02.00578>



| Attribute | Value |
|----------------------------------|-------------------------|
| Measuring range | 0.0...10.0 bar |
| Overpressure resistance | 15 bar |
| Repeatability | ± 3% of measuring range |
| Hysteresis | Adjustable |
| Inputs/outputs | 2 digital |
| Switching capacity (max) | 100 mA |
| Indication | 2xLED |
| Electrical connection | Male connect M8, 4 pole |
| Connection | G1/8"-M + M5-F |
| Voltage | 10-30V DC |
| Current consumption | 35 mA |
| Protection type IP | IP 65 |
| Temperature influence | ± 3% of measuring range |
| Operating temperature | 0 ... 50 °C |
| Weight | 16 g |
| Measuring range | 0.0...145.0 |
| Overpressure resistance | 217.55 psi |
| Construction shape vacuum switch | with display |

Accessories

Vacuum/pressure switch

VSi P10 D M8-4

Part no.:10.06.02.00578

<https://www.schmalz.com/10.06.02.00578>



ASK B-M8-4 5000 K-4P

Part no.10.06.02.00031

Connection cable

Interface Connection 1:

Fem connect M8, 4 pol

Cable length: 5000 mm

Interface Connection 2: Cable 4

Material: PUR-Cable



ASK WB-M8-4 5000 K-4P

Part no.10.06.02.00032

Connection cable

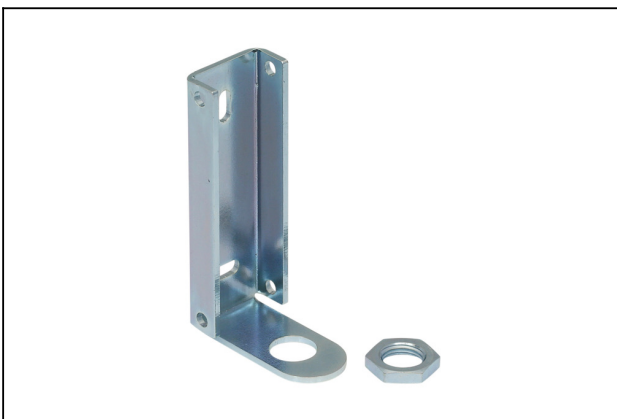
Interface Connection 1:

Elbow fem con M8, 4 pol

Cable length: 5000 mm

Interface Connection 2: Cable 4

Material: PUR-Cable



BEF-WIN 21x22x60.5 1.5 VS

Part no.10.06.02.00061

Mounting bracket

Width B: 21 mm

Height H: 22 mm

Length L: 60.5 mm

Wall thickness s: 1.5 mm

for: Vacuum switch

Vacuum/pressure switch

VSi P10 D M8-4

Part no.:10.06.02.00578

<https://www.schmalz.com/10.06.02.00578>



STVI-GE G1/8-IG 4

Part no.10.08.02.00149

Push-in Fitting, straight

Thread G1: G1/8"-F

External hose diameter: 4 mm

Material: Brass

Surface: nickel plated

Ambient temperature: -20 ... 80 °C



STVI-GE G1/8-IG 6

Part no.10.08.02.00150

Push-in Fitting, straight

Thread G1: G1/8"-F

External hose diameter: 6 mm

Material: Brass

Surface: nickel plated

Ambient temperature: -20 ... 80 °C



STVI-GE G1/8-IG 8

Part no.10.08.02.00151

Push-in Fitting, straight

Thread G1: G1/8"-F

External hose diameter: 8 mm

Material: Brass

Surface: nickel plated

Ambient temperature: -20 ... 80 °C

Vacuum/pressure switch

VSi P10 D M8-4

Part no.:10.06.02.00578

<https://www.schmalz.com/10.06.02.00578>



HTR-VSi Clip

Part no.10.06.02.00718

Plastic holder for mounting vacuum VSi / VS-V-SA

Connection geometry: Clip

Packaging unit: 2 pieces



BEF-WIN 21x22x61.5 1.5 VSi-D-M8

Part no.10.06.02.00664

Mounting bracket

Width B: 21 mm

Height H: 22 mm

Length L: 61.5 mm

Wall thickness s: 1.5 mm

for: Vacuum/pressure switch

Size: M8