

## Vacuum block

### VCBL-K1 125x75x85 Q

Part no.:10.01.12.01554

<https://www.schmalz.com/10.01.12.01554>

Homepage > Vacuum Clamping Technology > Clamping Equipment for Woodworking > Clamping Equipment for 1-Circuit Systems > Vacuum

Blocks VCBL-K1 > VCBL-K1 125x75x85 Q

## Vacuum block for Schmalz 1-circuit console

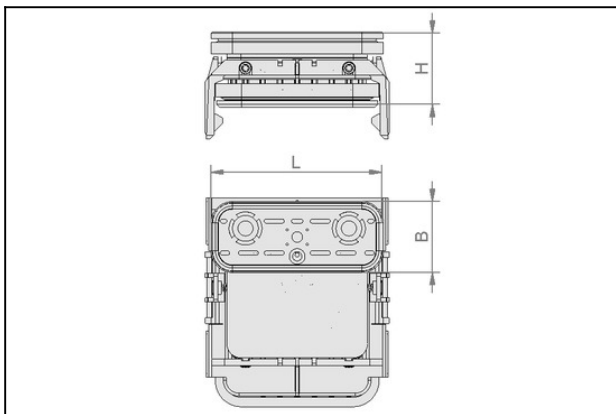


Dimensions (LxW): 125 x 75 mm

Height H: 85 mm

Arrangement: crossways

## Design Data



| Attribute | Value  |
|-----------|--------|
| B         | 75 mm  |
| B1        | 114 mm |
| H         | 85 mm  |
| L         | 125 mm |
| L1        | 140 mm |

## Technical Data

| Attribute | Value    |
|-----------|----------|
| Weight    | 0.722 kg |

## Vacuum block

VCBL-K1 125x75x85 Q

Part no.:10.01.12.01554

<https://www.schmalz.com/10.01.12.01554>

### Spare Parts



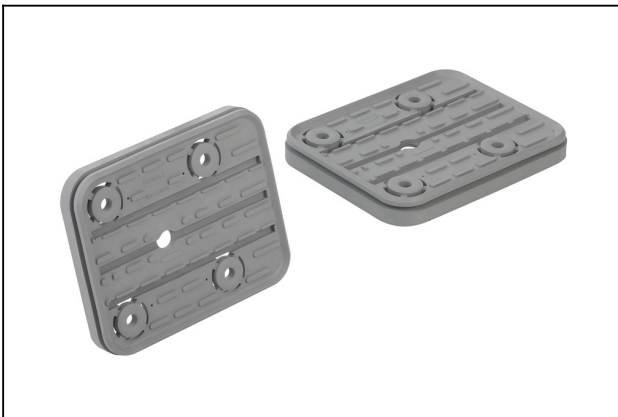
#### **VCSP-O 125x75x16.5**

Part no.10.01.12.00011

Suction-Plate for vacuum block, (top)

Dimensions (LxW): 125 x 75 mm

Height H: 16.5 mm



#### **VCSP-U 140x115x16.5 VCBL-K1**

Part no.10.01.12.00228

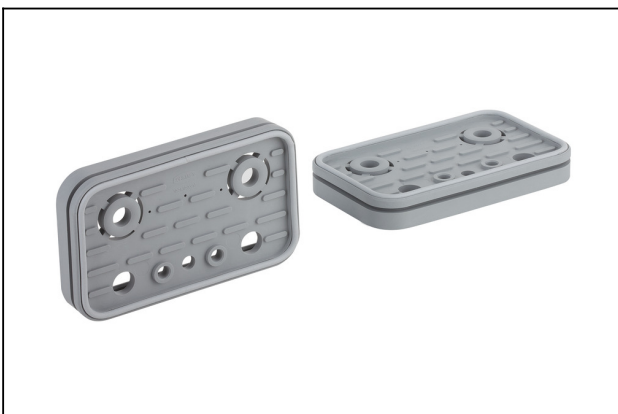
Suction plate for vacuum block bottom

Dimensions (LxW): 140 x 115 mm

Height H: 16.5 mm

for: Vacuum block VCBL-K1

### Accessories



#### **VCSP-O 125x75x17.7 MOS**

Part no.10.01.12.03511

Suction-Plate for vacuum block, (top)

Dimensions (LxW): 125 x 75 mm

Height H: 17.7 mm

with: Sealing lip with MOS