

Mechanical clamp

VCMC-S4 145x145x50 12-80

Part no.:10.01.12.01481

<https://www.schmalz.com/10.01.12.01481>

Homepage > Vacuum Clamping Technology > Clamping Equipment for Woodworking > Clamping Equipment for Systems from SCM / Morbidelli

> Mechanical Clamps VCMC-S > VCMC-S4 145x145x50 12-80

Mechanical clamp for narrow and frame parts, SCM console Type 4



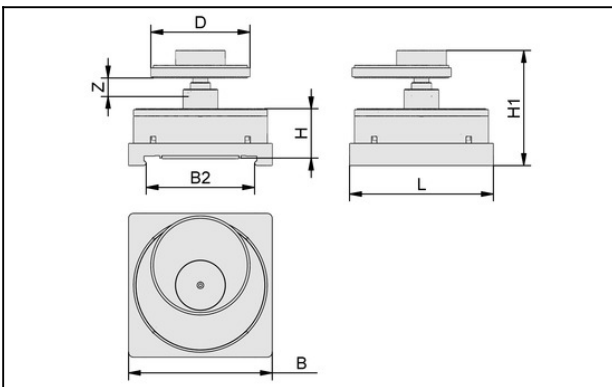
Dimensions (LxW): 145 x 145 mm

Height H: 50 mm

Stroke Z: 10 mm

Clamping range: 12.0 ... 80.0 mm

Design Data



Attribute	Value
B	145 mm
B2	109 mm
D	135 mm
H	50 mm
H1	94 mm
L	145 mm
Z (Stroke)	10 mm

Spare Parts

Mechanical clamp

VCMC-S4 145x145x50 12-80

Part no.:10.01.12.01481

<https://www.schmalz.com/10.01.12.01481>



SPAN-TELL 100x27.5 EXZ 12-80 VCMC

Part no.10.01.12.01783

Clamping disc for mechanical clamp VCMC

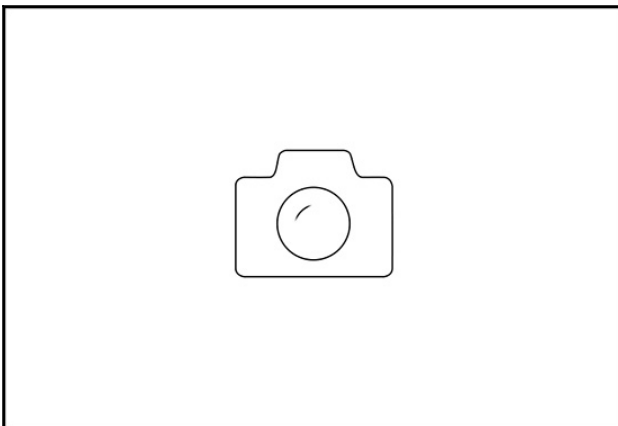
External diameter D: 100 mm

Height H: 27.5 mm

Installation position: Eccentric

Clamping range: 12.0 ... 80.0 mm

for: Mechanical tensioner VCMC



VCDR 141x77.2x5.1 VCBL-S

Part no.10.01.12.03138

Sealing frame (bottom)

Length L: 141 mm

Width B: 77.2 mm

Height H: 5.1 mm

for: Vacuum block VCBL-S