

Feed ejector SEC-100

Part no.:10.02.01.00078

<https://www.schmalz.com/10.02.01.00078>



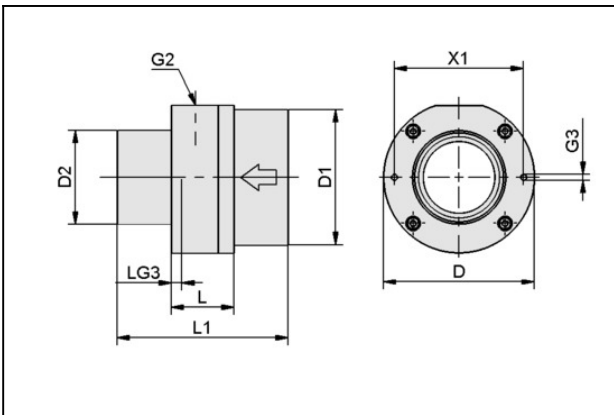
Homepage > Vacuum Technology for Automation > Vacuum Components > Special Grippers > Feed Ejectors > Feed Ejectors SEC > SEC-100

Powerful ejector for very porous parts



Nozzle size: 10 mm
Suction rate (max): 36.6 m³/h

Design Data



Attribute	Value
D	37 mm
D1	19 mm
D2	19 mm
G2	G1/8"-F
G3	M4-F
L	21 mm
L1	70 mm
LG3	8 mm
X1	29 mm

Technical Data

[Contact to Schmalz](#)

Schmalz Inc. | 5850 Oak Forest Dr, Raleigh, NC 27616, USA | +1 (919) 713-0880 | schmalz@schmalz.us

Feed ejector

SEC-100

Part no.:10.02.01.00078

<https://www.schmalz.com/10.02.01.00078>



Attribute	Value
Max. vacuum	-170 mbar
Suction rate (max.)	610 l/min
Suction rate (max.)	36.6 m ³ /h
Air consumption suction	190 l/min
Air consumption suction	11.1 m ³ /h
Pressure range (operating pressure)	2.0 ... 6.0 bar
Operating temperature	-20 ... 80 °C
Weight	0.07 kg
Max. vacuum	-5.02 inHg
Suction rate (max.)	21.541 cfm
Air consumption suction	6.709 cfm
Pressure range (operating pressure)	29.0...87.0

Note: Air consumption: At optimal operating pressure (4,5 bar)
