

Flat suction cup (round)

SGPN 15 HT1-60 M5-AG

Part no.:10.01.01.12396

<https://www.schmalz.com/10.01.01.12396>

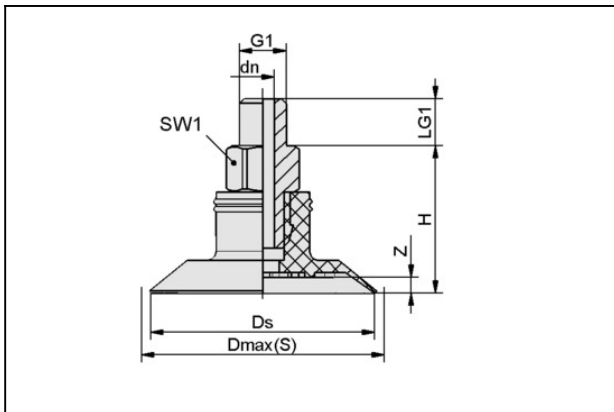
Homepage > Vacuum Technology for Automation > Vacuum Components > Vacuum Suction Cups > SGPN 15 HT1-60 M5-AG

Flat suction cup (round) for careful gripping of paper, plastic film, etc.



Size: 15
 Suction cup material:
 High temp material HT1
 Material hardness: 60 °Sh
 Material property: non-marking
 Nipple material: Aluminium
 Vacuum connection: M5-M

Design Data



Attribute	Value
dn	2.5 mm
Dmax(S)	15.5 mm
Ds	14.5 mm
G1	M5-M
H	15 mm
LG1	5 mm
SW1	7 mm
Z (Stroke)	0.9 mm

Technical Data

Attribute	Value
Suction force (-600mbar)	5.5 N

Flat suction cup (round)

SGPN 15 HT1-60 M5-AG

Part no.:10.01.01.12396

<https://www.schmalz.com/10.01.01.12396>

Attribute	Value
Volume	0.278 cm ³
Hose diameter (empf.) d	2 mm
Size	15
Number of folds	0
Suction cup material	High temp material HT1
Material hardness [Shore A]	60 Shore A
Weight	1.6 g
Product family	SGPN

Spare Parts



SA-NIP N016 M5-AG DN250

Part no.10.01.06.00123

Suction cup connection nipple

Nipple: N 016

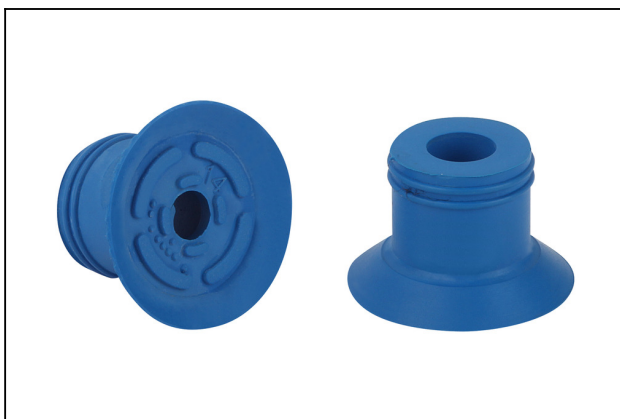
Thread G1: M5-M

Overall length: 16 mm

Fitting length: 5 mm

Nominal size: 2,50 mm

Material: Aluminium



SGP 15 HT1-60 N016

Part no.10.01.01.12394

Flat suction cup (round) for careful gripping of paper, plastic film, etc.

Size: 15

Suction cup material:

High temp material HT1

Material hardness: 60 °Sh

Material property: imprint-free

Flat suction cup (round)

SGPN 15 HT1-60 M5-AG

Part no.:10.01.01.12396

<https://www.schmalz.com/10.01.01.12396>

