

Vacuum hose

VSL 44-38 PU-DS-AS

Part no.:10.07.09.00031

<https://www.schmalz.com/10.07.09.00031>

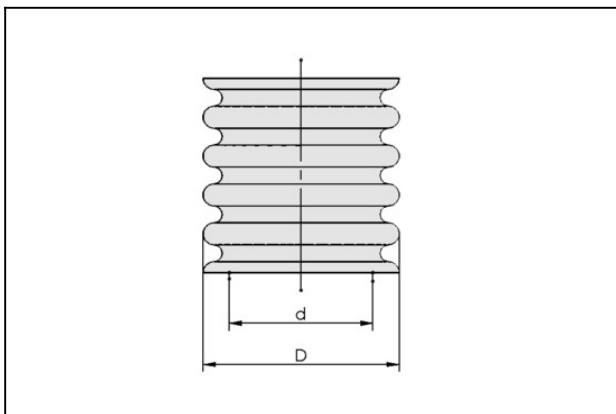
Homepage > Vacuum Technology for Automation > Vacuum Components > Filters and Connections > Hoses and Connectors > Vacuum /
Compressed Air Hoses VSL > VSL 44-38 PU-DS-AS

Hose for vacuum and compressed-air systems



External diameter D: 44 mm
Internal diameter d: 38 mm
Length (max): 20 m
Material: PU, wire spiral, antistat
Installation radius (min): 29 mm
Colour: Transparent
Pressure range (operating pressure):
-1.00 ... 3.21 bar
Ambient temperature: -40 ... 90 °C

Design Data



Attribute	Value
d	38 mm
D	44 mm

Technical Data

Attribute	Value
Hose type	44-38
Pressure range (operating pressure)	-0,82 ... 3,12 bar

Vacuum hose

VSL 44-38 PU-DS-AS

Part no.:10.07.09.00031

<https://www.schmalz.com/10.07.09.00031>

Attribute	Value
Operating temperature	-20 ... 90 °C
Bending radius min.	29 mm
Length max.	20 m
Weight/Meter	520 g/m
Weight/Meter	0.52 kg/m
Material hose	PU, wire spiral, antistatic

Note: Operating pressure: In reference to media and ambient temperature of + 20°C Bending radius: Referred to the inner side of the hose bend in a static state Max. length: Please indicate the tube length when placing the order!

Accessories



SSD 38-43 ST-VZ

Part no.10.07.10.00019

Hose clamp for securing wire-reinforced hoses

Clamping range: 38.0 ... 43.0 mm

Material: Steel

Surface: galvanised



SSD 43-49 ST-VZ

Part no.10.07.10.00020

Hose clamp for securing wire-reinforced hoses

Clamping range: 43.0 ... 49.0 mm

Material: Steel

Surface: galvanised

Vacuum hose

VSL 44-38 PU-DS-AS

Part no.:10.07.09.00031

<https://www.schmalz.com/10.07.09.00031>



ST G1-1/2-AG 38 MS-V

Part no.10.08.03.00170

Hose sleeve

Thread G1: G1-1/2"-M

Internal hose diameter: 38 mm

Material: Brass

Surface: nickel plated