

Feed ejector

SEC-60 A2

Part no.:10.02.01.01155

<https://www.schmalz.com/10.02.01.01155>

Homepage > Vacuum Technology for Automation > Vacuum Components > Special Grippers > Feed Ejectors > Feed Ejectors SEC > SEC-60 A2

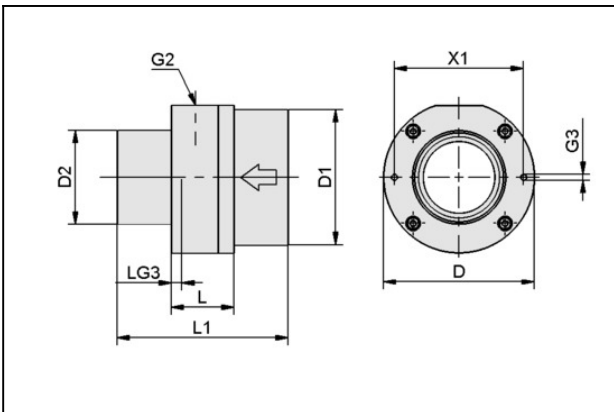
Powerful ejector for very porous parts



Nozzle size: 6,0 mm

Suction rate (max): 12.9 m³/h

Design Data



Attribute	Value
D	32 mm
D1	12.5 mm
D2	12.5 mm
G2	M5-F
G3	M3-F
L	14 mm
L1	44 mm
LG3	5 mm
X1	25 mm

Technical Data

Feed ejector

SEC-60 A2

Part no.:10.02.01.01155

<https://www.schmalz.com/10.02.01.01155>



Attribute	Value
Max. vacuum	-245 mbar
Suction rate (max.)	215 l/min
Suction rate (max.)	12.9 m ³ /h
Air consumption suction	140 l/min
Air consumption suction	6.6 m ³ /h
Pressure range (operating pressure)	2.0 ... 5.0 bar
Operating temperature	-20 ... 80 °C
Material	Aust. Edelstahl
Weight	0.091 kg
Max. vacuum	-7.234 inHg
Suction rate (max.)	7.592 cfm
Air consumption suction	4.943 cfm
Pressure range (operating pressure)	29.0...72.5

Note: Air consumption: At optimal operating pressure (4,5 bar)
