

Bellows suction cup HT (oval)

SAOB 80x40 HT2-65 G1/4-IG

Part no.:10.01.06.02446

<https://www.schmalz.com/10.01.06.02446>

Homepage > Vacuum Technology for Automation > Vacuum Components > Vacuum Suction Cups > Suction Cups for High-Temperature

Applications > Bellows Suction Cups SAOB HT2 (Oval, 1.5 Folds) > SAOB 80x40 HT2-65 G1/4-IG

Bellows suction cup (oval) for best dynamics



Dimensions (LxW): 80 x 40 mm

Suction cup material:

High temp material HT2

Material hardness: 65 °Sh

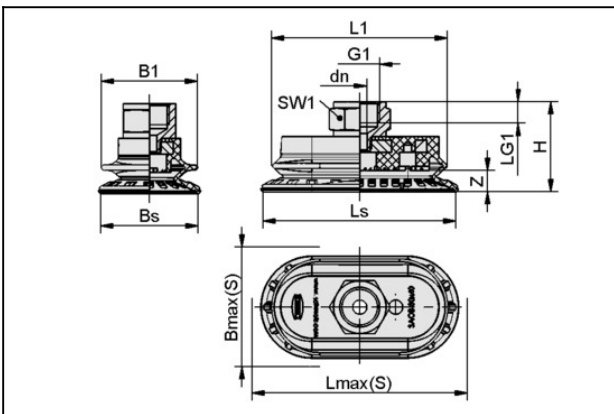
Temperature resistance: 200 °C

Number of folds: 1.5

Nipple material: Brass, nickel-plated

Vacuum connection: G1/4"-F

Design Data



Attribute	Value
B1	40 mm
Bmax(S)	43 mm
Bs	40.6 mm
dn	6 mm
G1	G1/4"-F
H	37.2 mm
L1	73.3 mm
LG1	8 mm
Lmax(S)	83 mm
Ls	80.6 mm
SW1	17 mm
Z (Stroke)	9 mm

Bellows suction cup HT (oval)

SAOB 80x40 HT2-65 G1/4-IG

Part no.:10.01.06.02446

<https://www.schmalz.com/10.01.06.02446>



Technical Data

Attribute	Value
Suction force (-600mbar)	65 N
Pull-off force	100 N
Lateral force	98 N
Volume	20.6 cm ³
Curve radius (min) (convex)	40 mm
Hose diameter (empf.) d	6 mm
Dimensions (LxB)	80 x 40
Number of folds	1.5
Suction cup material	Hightemp. material HT2
Material hardness [Shore A]	65 Shore A
Weight	66.8 g
Product family	SAOB