

Floating suction cup

SBS 40 HF G1/8-IG

Part no.:10.01.01.12653

<https://www.schmalz.com/10.01.01.12653>

Homepage > Vacuum Technology for Automation > Vacuum Components > Special Grippers > Floating suction cup > Floating Suction Cups

SBS > SBS 40 HF G1/8-IG

Floating suction cup for handling sensitive workpieces

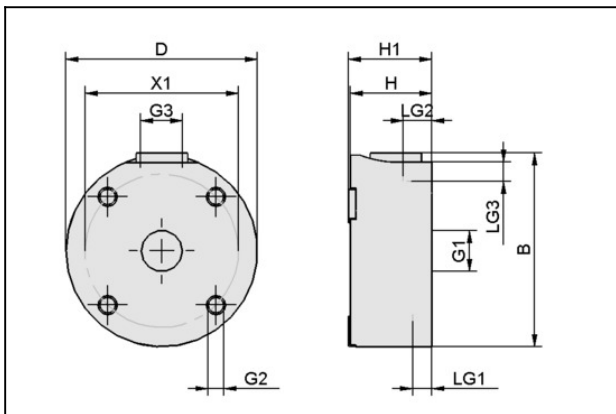


Diameter: 40 mm

Design: High Flow

Compressed-air connection: G1/8"-F

Design Data



| Attribute | Value |
|-----------|---------|
| B | 41 mm |
| D | 40 mm |
| G1 | G1/8"-F |
| G2 | M4-F |
| G3 | G1/8"-F |
| H | 17 mm |
| H1 | 17.5 mm |
| LG1 | 5 mm |
| LG2 | 6 mm |
| LG3 | 6 mm |
| X1 | 32 mm |

Floating suction cup

SBS 40 HF G1/8-IG

Part no.:10.01.01.12653

<https://www.schmalz.com/10.01.01.12653>

Technical Data

| Attribute | Value |
|-------------------------------------|------------------------|
| Holding force | 10.5 N |
| Air consumption | 11.4 m ³ /h |
| Air consumption | 190 l/min |
| Pressure range (operating pressure) | 1,0 ... 6,0 bar |
| Weight | 51 g |

Note: Air consumption: The values provided are based on an operating pressure of 5 bar, measured on a suction-tight workpiece. The actual values may differ depending on the properties of the workpiece.

Spare Parts



REIB-FL SBS HT1-60

Part no.10.01.01.12593

Friction Surface to increase lateral forces
for: Floating suction pad

Suction cup material:

High temp material HT1

Material hardness: 60 °Sh